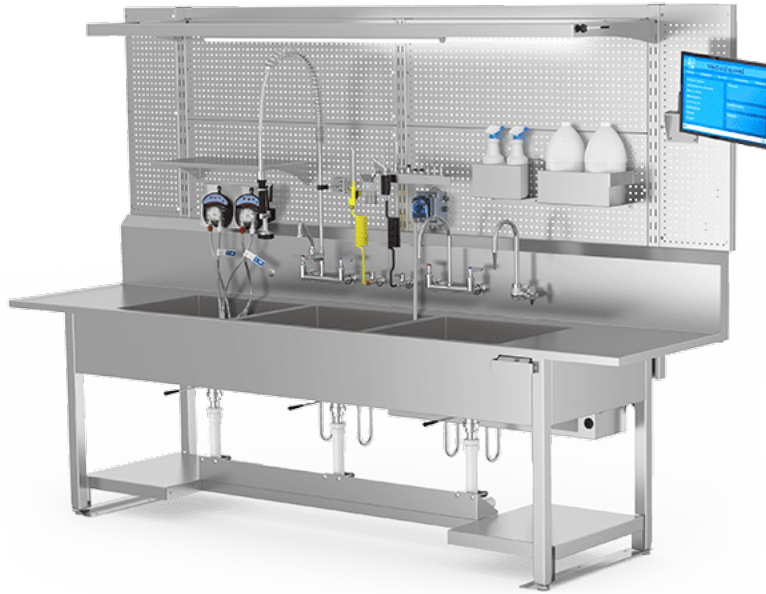


TABLE OF CONTENTS

| | |
|---|----|
| Processing Sinks | 2 |
| Processing Sink, Single Basin 24" W x 20"L x 10"D, 30D x 36W x 37H | 3 |
| Stationary Pipe Base 26" D x 120" W x 37" H, Triple Basin Decontamination Sink w/ Eye Wash Station | 3 |
| 30 D x 102 W x 37 H Triple Basin Processing Pipe Model Sink (Copy) | 4 |
| 30 D x 102 W x 37 H Triple Basin Processing Pipe Model Sink | 4 |
| 30" D x 58" W x 37" H Double Basin Processing Pipe Model Fixed Height Sink - No Working Countertop Space | 5 |
| 30" D x 86" W x 37" H Triple Basin Processing Pipe Model Fixed Height Sink | 5 |
| 30" D x 120" W x 37" H Triple Basin Processing Pipe Model Sink Adjustable | 6 |
| Triple Basin Decontamination Sink with Sonic Basin | 7 |
| 36" Long Single Basin Processing Sink, no DI | 7 |
| 72" Long Single Basin Stainless Processing Sink with Accessories - No DI | 8 |
| 30" D x 120" W x 37" H Triple Basin Processing Pipe Model Sink | 9 |
| 30" D x 84" W x 37" H Triple Basin Processing Pipe Model Adjustable Sink | 9 |
| 30"D x 102" W x 35"-42" H Double Basin Processing Pipe Model Adjustable Sink | 10 |
| Triple Basin Decontamination Sink | 10 |
| Double Basin Processing Pipe Model Adjustable Sink with Sonic Basin | 11 |
| Dual Bay Processing Pipe Model Sink | 11 |



PROCESSING SINKS

AUXO MEDICAL PROVIDES TOP QUALITY DECONTAMINATION AND PROCESSING SINKS

Purpose-Built for Labs & Medical Facilities

Auxo Medical is a leading provider of high-quality decontamination and processing sinks for medical facilities. Our sinks are purpose-built for medical facilities and meet the highest standards of quality and safety.

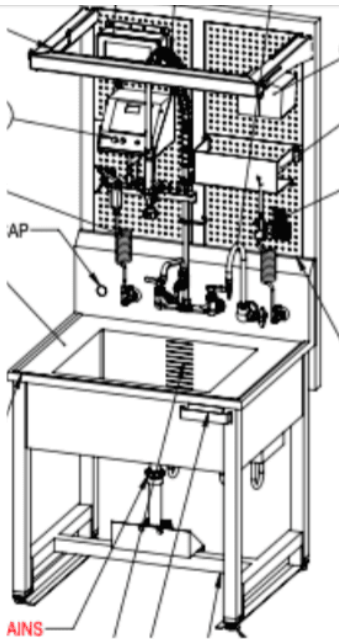
These sinks are built from high-quality materials and incorporate features such as easy-to-clean surfaces, adjustable spray nozzles, and integrated drainage systems. The sinks are available in a range of sizes and configurations, making it easy for medical facilities to find a solution that fits their needs.

Our catalog consists of brand new, reconditioned and refurbished equipment. Would you like to filter the equipment by:

[**BRAND NEW**](#)

[**RECONDITIONED**](#)

[**REFURBISHED**](#)



PROCESSING SINK, SINGLE BASIN 24" W X 20" L X 10" D, 30D X 36W X 37H

The **Processing Sink, Single Basin 24" W x 20" L x 10" D** is a comprehensive decontamination station designed to facilitate efficient cleaning and processing workflows. With a sturdy, stationary pipe base and measurements of 30" D x 36" W x 37" H, it features a spacious single basin, 24" wide by 20" long with 10" depth, etched with gallon markings for precise fluid management. The unit is equipped with a gooseneck faucet, DI faucet, water gun, and air gun to support diverse cleaning needs, along with a pegboard for organizing tools. It includes a waterproof soak timer with a highly visible LED display and programmable presets, an automated detergent dosing system, and a flushing system suitable for flexible endoscopes, robotics, and cannulated devices. Additional features include an overhead LED light, jug holder, copper drain, and secure seismic braces, all designed to optimize workflow within a 12" backsplash, marine edge, and adjustable feet for stability. This versatile processing station supports safe, efficient, and organized device reprocessing in medical or industrial facilities.

[Read More](#)

SKU: PS303635-1002

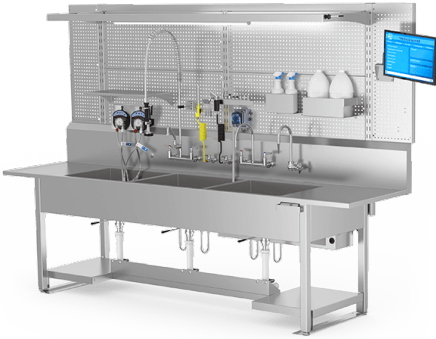


STATIONARY PIPE BASE 26" D X 120" W X 37" H, TRIPLE BASIN DECONTAMINATION SINK W/ EYE WASH STATION

The **Stationary Pipe Base 26" D x 120" W x 37" H Triple Basin Decontamination Sink with Eye Wash Station** is a durable, high-capacity processing station designed for efficient decontamination workflows. Constructed with fully welded, reinforced tops, this sink features three spacious 24" wide by 17" long, 10" deep basins etched with gallon markings for precise fluid management. Its left-to-right workflow layout supports streamlined operation, with a 37" standard height optimized for stationary use. The unit includes a 4" backsplash, marine edge, and adjustable feet for stability on uneven surfaces. Equipped with two pre-rinse faucet combos, an air gun, and a dedicated left-side eyewash station, it supports comprehensive safety and cleaning protocols. An undershelf provides additional storage, while the flat working surface and etched gallon markings facilitate efficient, safe decontamination processes in laboratory, industrial, or healthcare settings.

[Read More](#)

SKU: AM-PS2612036-1-1-3-3-EYE

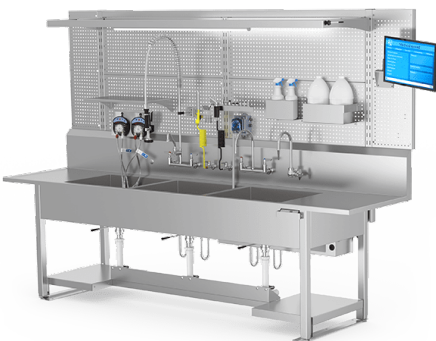


30 D X 102 W X 37 H TRIPLE BASIN PROCESSING PIPE MODEL SINK (COPY)

The **30"D x 90"W x 35-42"H Triple Basin Processing Pipe Model Adjustable Sink** is a versatile and robust solution designed for demanding processing environments. Its adjustable height feature (35-42 inches) allows for ergonomic customization to suit various workflows, while its fully welded construction with reinforced tops ensures durability and longevity. The open pipe base provides easy access for cleaning and maintenance. Equipped with three spacious 20" long by 24" wide, 10" deep basins etched with gallon markings, it supports efficient fluid management and universal workflow. The unit features a 12" angled backsplash with backsplash-mounted faucets, including two pre-rinse faucets, a DI faucet, water gun, and air gun, all positioned to streamline operations. Its flat working surface with adjustable feet, marine edge, and optional lower shelf and side splash accessories enhance organization and safety. Additional features include larger seismic brackets, individual plumbing for adjustable height sinks, and modular components like bolt-on side splash and H-brace with lower shelf, making this sink highly adaptable for various institutional and industrial applications. *Some items pictured may not be included, only items listed above are included.*

[Read More](#)

SKU: AM-PS30903542-2000



30 D X 102 W X 37 H TRIPLE BASIN PROCESSING PIPE MODEL SINK

The **30"D x 102"W x 37"H Triple Basin Processing Pipe Model Sink** is a durable, fully welded commercial sink designed to optimize processing workflows in busy laboratory or industrial environments. Featuring a fixed height with an open pipe base and reinforced tops, it offers three spacious 20" long by 30" wide by 10" deep basins with etched gallon markings for precise fluid management. The sink is equipped with a 12" angled backsplash-mounted faucets, including a mixing valve faucet, pre-rinse combo faucet, water gun, air gun, and DI faucet, all designed to facilitate efficient, versatile operations. Its open design features an adjustable footed base, marine edge, optional lower shelf, and optional side splash and pegboard backframe for added organization. The model incorporates improved features such as larger seismic brackets, individual plumbing for adjustable height sinks, and a universal workflow design supporting seamless, ergonomic processing. With optional components like an H-brace with lower shelf and bolt-on accessories, this sink is ideal for demanding environments requiring robust construction and flexible configuration for smooth, safe, and efficient processing.

Some items pictured may not be included, only items listed above are included.

[Read More](#)

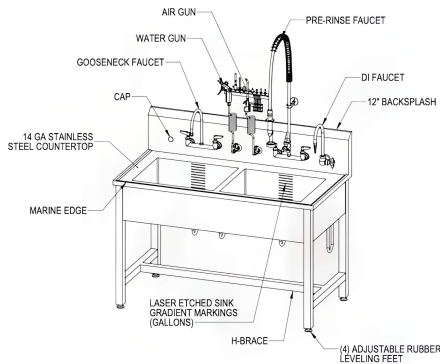
SKU: AM-PS3010237-1000

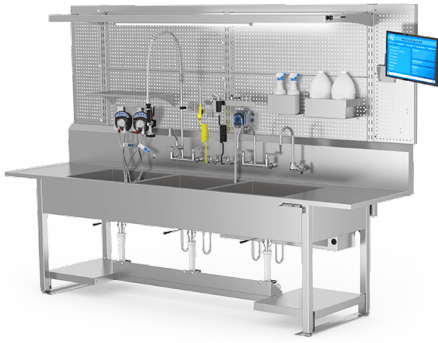
30" D X 58" W X 37" H DOUBLE BASIN PROCESSING PIPE MODEL FIXED HEIGHT SINK - NO WORKING COUNTERTOP SPACE

The **30" D x 58" W x 37" H Double Basin Processing Pipe Model Fixed Height Sink** is an efficient and robust solution designed for high-demand environments where space and utility are paramount. Constructed with a fully welded open pipe base and reinforced tops, this sink ensures durability and stability. The unit features two spacious basins, each measuring 20" L x 24" W x 10" D, complete with etched gallon markings for precise water measurement. A 12" backsplash helps protect walls from splashes, while the universal workflow design accommodates diverse processing needs. The sink is equipped with an H-brace and adjustable feet for added support and customization on uneven surfaces. Its marine edge prevents spills, maintaining a clean and safe workspace. Though it lacks additional countertop space, the flat working surface is complemented by a comprehensive plumbing setup, including a mixing valve faucet, a pre-rinse combo faucet, a water gun, an air gun, and a DI faucet. This makes it an ideal choice for facilities requiring a versatile and compact washing station without the need for lateral working space.

[Read More](#)

SKU: AM-PS305837-2000



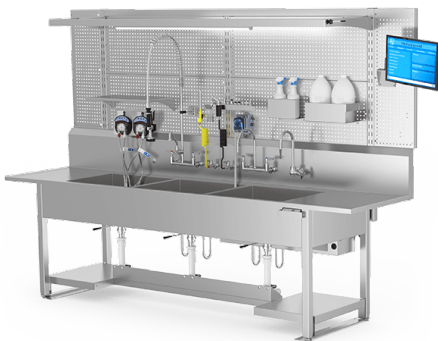


30" D X 86" W X 37" H TRIPLE BASIN PROCESSING PIPE MODEL FIXED HEIGHT SINK

This **30" D x 86" W x 37" H Triple Basin Processing Pipe Model Fixed Height Sink** is designed for universal workflow efficiency. This unit features an open pipe base and fully welded construction with reinforced tops, ensuring durability and stability. The sink includes three basins, each measuring 20" L x 30" W x 10" D, complete with etched gallon markings for precise measurements. An essential 12" backsplash, marine edge, and flat working surface enhance usability. Additionally, adjustable feet allow for customized installation. Optional features such as a lower shelf and bolt-on side splash provide further versatility. The sink comes equipped with a mixing valve faucet, a pre-rinse combo faucet, a water gun, an air gun, and a DI faucet. Our new model introduces a 12" angled backsplash, backsplash-mounted faucets, a 30" deep standard sink top, and a 20" deep standard basin. Individual plumbing for adjustable height sinks, larger seismic brackets, and an H-brace with a lower shelf option are also included to meet diverse needs. We offer a 12-month manufacturer's defect parts and on-site labor warranty for peace of mind. Please note that while some items may be pictured, only those listed are included in this offering.

[Read More](#)

SKU: AM-PS308637-1000



30" D X 120" W X 37" H TRIPLE BASIN PROCESSING PIPE MODEL SINK ADJUSTABLE

This **30" D x 120" W x 37" H Triple Basin Processing Pipe Model Sink** boasts ergonomically friendly hydraulic adjustable heights ranging from 35" to 42" and features four-position programming, ensuring optimal comfort and efficiency during use. The open pipe base and fully welded construction with reinforced tops guarantee durability and stability, while the three spacious basins (20"L x 30"W x 10"D) with etched gallon markings facilitate a universal workflow. The sink also includes a 12" angled backsplash with mounted faucets, providing a clean and organized workspace. Additional features such as adjustable feet, a marine edge, a flat working surface, and the lower shelf option enhance functionality. Equipped with a mixing valve faucet, pre-rinse combo faucet, water gun, air gun, and DI faucet, this sink meets all your processing needs. New features like individual plumbing for adjustable height sinks, larger seismic brackets, and optional accessories like a pegboard backframe and bolt-on side splash further expand its versatility. Please note that some

items pictured may not be included, and only the items listed above are part of the offering.

[Read More](#)

SKU: AM-PS3012037-9-30-1000



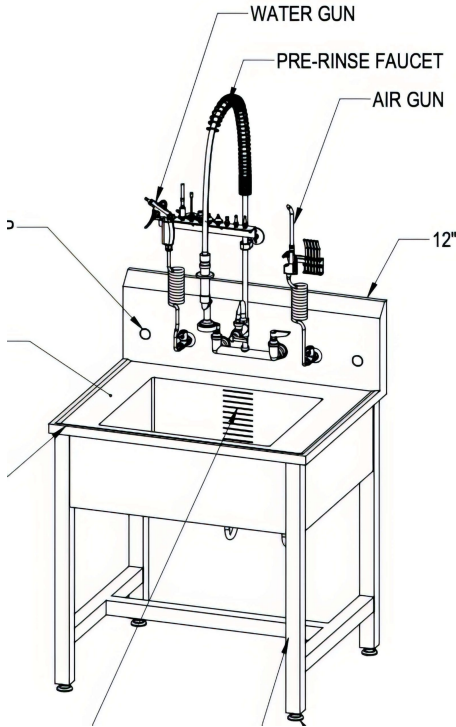
TRIPLE BASIN DECONTAMINATION SINK WITH SONIC BASIN

The **Mac Medical Triple Basin Decontamination Sink with Sonic Basin** is a meticulously designed unit, tailored for efficient and thorough cleaning in medical settings. Measuring 26 inches in depth, 120 inches in width, and 37 inches in height, this sink is constructed with an open pipe base and fully welded reinforced tops to ensure durability and stability. It features three basins: a sonic basin on the left and two regular basins in the center and right, each measuring 17 inches in length, 24 inches in width, and 10 inches in depth, complete with etched gallon markings for precise measurements. The sink is equipped with a 4-inch backsplash to prevent spills and splashes, and adjustable feet for stability on uneven surfaces. The marine edge design ensures that liquids do not overflow, maintaining a clean and safe working environment. Additionally, the sink includes a flat working surface, two pre-rinse combo faucets, an air gun, a water gun, and a DI faucet, providing a comprehensive solution for all decontamination needs. This decontamination sink is an essential asset for any medical facility, combining functionality with robust construction.

Stationary Pipe Base 26" D x 120" W x 37" H, Triple Basin Decontamination Sink with Sonic Basin

[Read More](#)

SKU: AM-PS2612037-SB

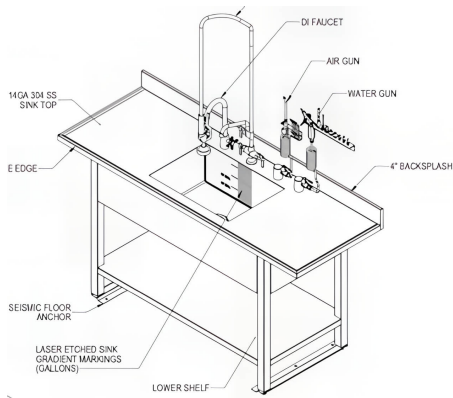


36" LONG SINGLE BASIN PROCESSING SINK, NO DI

The **36" Long Single Basin Processing Sink** is a robust and versatile addition to any industrial or commercial setting that requires precise and efficient cleaning processes. Measuring an overall 30" deep, 36" wide, and 37" high, this sink is designed with an open pipe base, ensuring stability and ease of maintenance. Its fully welded construction and reinforced tops guarantee durability, while the single basin, measuring 20"L x 24"W x 10"D, comes with etched gallon markings to aid in accurate measurements. A 12" backsplash protects the surrounding area from splashes, and the universal workflow design accommodates a variety of tasks. The sink features adjustable feet for leveling on uneven floors, a marine edge to prevent spills, and a flat working surface for additional utility. To cater to specific requirements, a full CAD rendering can be provided, offering multiple layouts. The sink package is comprehensive, including a lower shelf for storage, a pre-rinse combo faucet, a water gun, and an air gun, ensuring that all necessary tools for efficient operation are at hand. This makes the 36" Long Single Basin Processing Sink a highly functional piece of equipment for any processing or preparation area.

[Read More](#)

SKU: AM-PS303637-2000

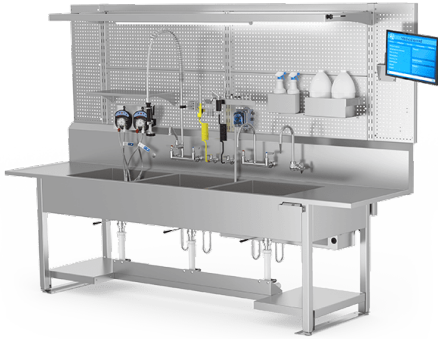


72" LONG SINGLE BASIN STAINLESS PROCESSING SINK WITH ACCESSORIES - NO DI

The **30"D x 72"W x 37"H Single Basin Processing Sink** with Pipe Base is a robust solution designed for high-demand environments, boasting a fully welded construction with reinforced tops to ensure durability and longevity. The pipe base unit comes equipped with an under shelf and adjustable feet for stability on uneven surfaces, as well as a 4" backsplash to keep the work area clean. This versatile sink supports both right to left and left to right workflows, accommodating various operational needs with a standard height of 37". Its large basin measures 20"L x 24"W x 10"D, complete with etched gallon markings for precise operations. Additionally, the sink features a full CAD rendering service to meet specific requirements, offering multiple layout options. It includes a MAC Medical Mixing Valve Faucet, a Pre Rinse Spray, an Air Gun with five tips, and a Water/Air Gun Shutoff Valve, enhancing its functionality. For those in need of extra splash protection, an optional 4" Side Splash can be ordered separately, ensuring a tailored fit for any processing environment.

[Read More](#)

SKU: AM-PS267237-ND

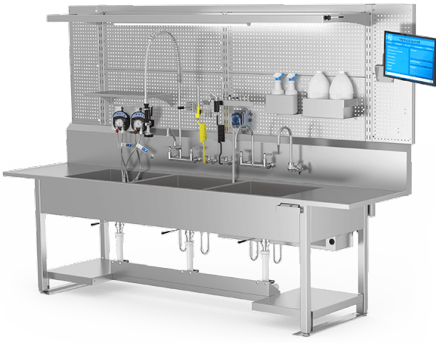


30" D X 120" W X 37" H TRIPLE BASIN PROCESSING PIPE MODEL SINK

The **30" D x 120" W x 37" H Triple Basin Processing Pipe Model Sink** is a meticulously designed piece of equipment tailored for high-demand environments where precision and versatility are paramount. This model stands out with its fixed height framework, supported by an open pipe base, and boasts a fully welded construction complemented by reinforced tops, ensuring durability and a long service life. Equipped with three spacious basins, each measuring 20"L x 30"W x 10"D and featuring etched gallon markings, it facilitates a universal workflow, making it ideal for a variety of processing tasks. The sink also includes a 12" backsplash to protect walls from splashes and spills, and adjustable feet to accommodate uneven floor surfaces. A notable feature is the marine edge design, which helps contain spills, alongside a flat working surface for efficiency. The lower shelf option adds storage convenience, while the comprehensive faucet setup—including a mixing valve faucet, a pre-rinse combo faucet, a water gun, an air gun, and a DI faucet—ensures versatility in cleaning and processing tasks. With additional features like a 12" angled backsplash, backsplash-mounted faucets, larger seismic brackets for enhanced stability, and an optional pegboard backframe for tool organization, this sink is designed to meet the rigorous demands of any processing environment.

[Read More](#)

SKU: AM-PS3012037-1000

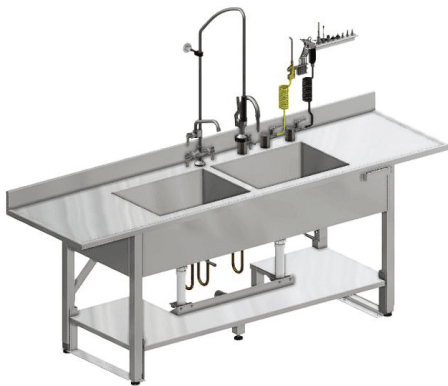


30" D X 84" W X 37" H TRIPLE BASIN PROCESSING PIPE MODEL ADJUSTABLE SINK

Electronic adjustable height
Open pipe base
Fully welded construction with reinforced tops
QTY3 Basins (20"L x 24"W x 10"D) with etched gallon markings Universal
workflow

[Read More](#)

SKU: AM-PS308437-1000



30"D X 102" W X 35"-42" H DOUBLE BASIN PROCESSING PIPE MODEL ADJUSTABLE SINK

Electronic adjustable height
Open pipe base
Fully welded construction with reinforced tops
QTY3 Basins (20"L x 30"W x 10"D) with etched gallon markings Universal
workflow

Download Brochure

[Read More](#)

SKU: AM-PS3010237-1000-9-30



TRIPLE BASIN DECONTAMINATION SINK

Processing Sink 26"D x 84"W x 37"H

[Read More](#)

SKU: AM-PS268437



DOUBLE BASIN PROCESSING PIPE MODEL ADJUSTABLE SINK WITH SONIC BASIN

26" D x 80" W x 35-42" H Dual Bay Processing Pipe Model Adjustable Sink
with Sonic Cleaning Basin
Electronic adjustable height
Open pipe base

[Read More](#)

SKU: AM-PS268035-9-SONIC

DUAL BAY PROCESSING PIPE MODEL SINK

The Dual Bay Processing Pipe Model Sink is great for decontamination and can be adjusted for ultimate accommodation of user.

[Read More](#)

SKU: AM-PS269637-1



INDEX

3

- 30 D x 102 W x 37 H Triple Basin Processing Pipe Model Sink 3
- 30 D x 102 W x 37 H Triple Basin Processing Pipe Model Sink (Copy) 3
- 30" D x 120" W x 37" H Triple Basin Processing Pipe Model Sink 8
- 30" D x 120" W x 37" H Triple Basin Processing Pipe Model Sink Adjustable 5
- 30" D x 58" W x 37" H Double Basin Processing Pipe Model Fixed Height Sink - No Working Countertop Space 4
- 30" D x 84" W x 37" H Triple Basin Processing Pipe Model Adjustable Sink 9
- 30" D x 86" W x 37" H Triple Basin Processing Pipe Model Fixed Height Sink 5
- 30"D x 102" W x 35"-42" H Double Basin Processing Pipe Model Adjustable Sink 9
- 36" Long Single Basin Processing Sink, no DI 7

7

- 72" Long Single Basin Stainless Processing Sink with Accessories - No DI 7

D

- Double Basin Processing Pipe Model Adjustable Sink with Sonic Basin 10
- Dual Bay Processing Pipe Model Sink 11

P

- Processing Sink, Single Basin 24" W x 20"L x 10"D, 30D x 36W x 37H 2

S

- Stationary Pipe Base 26" D x 120" W x 37" H, Triple Basin Decontamination Sink w/ Eye Wash Station 2

T

- Triple Basin Decontamination Sink 10
- Triple Basin Decontamination Sink with Sonic Basin 6