

# Sanidyne®

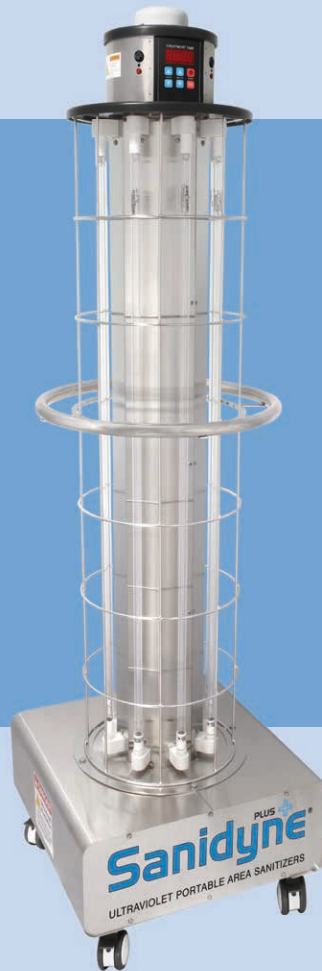
ULTRAVIOLET PORTABLE AREA SANITIZERS



PRIME   
143 UV Watts





PRIME  REMOTE  
143 UV Watts



PLUS   
312 UV Watts



PREMIUM   
480 UV Watts

SINCE 1963  
**ATLANTIC  ULTRAVIOLET**  
CORPORATION®

## ABOUT US

Since 1963, Atlantic Ultraviolet Corporation® has pioneered the discovery and development of beneficial uses of ultraviolet energy. Over the years

these efforts have led to the

development of valuable, cost effective and environmentally sound techniques and products now known and respected throughout the world.

The UV Application Specialists at Atlantic Ultraviolet Corporation® assist customers in the selection of germicidal lamps and equipment. Their specialized knowledge is a valuable resource in formulating effective and cost-conscious ultraviolet solutions.

Extensive inventories and a dedicated staff enable Atlantic Ultraviolet Corporation® to fulfill its commitment to provide fast deliveries and responsive customer service.



## GERMICIDAL ULTRAVIOLET

Ultraviolet is a unique and rapid method of disinfection. It utilizes germicidal ultraviolet lamps producing short-wave radiation at 254 nanometers (nm)—a wavelength highly lethal to bacteria, virus, and other microorganisms.

An ever growing range of industries and consumer applications have found ultraviolet to be the ideal solution for their air and surface treatment needs.

Atlantic Ultraviolet Corporation® equipment and systems are manufactured in the USA.



PRIME ❄️



PRIME ❄️ REMOTE



PLUS ⛶



PREMIUM ⚙️

## ADVANTAGES

### **Efficient**

High efficiency **Surelite™**  
Electronic Ballasts power up  
**Sanidyne®** Ultraviolet Portable  
Area Sanitizers.

### **Straightforward**

Simple use and maintenance.

### **Fast**

A room as large as 1,000 square  
feet can be treated in 15 minutes.  
(Larger spaces require more time,  
see charts on page 14–15.)

### **Effective**

Disinfects both air and exposed  
surfaces utilizing germicidal  
ultraviolet (UV-C) wavelength lamps.

### **Durable**

Polished Stainless Steel.

### **Portable**

Fixture is easily transported  
from one area to another.

### **Safe**

**Sanidyne® Prime Remote**,  
**Sanidyne® Plus**, and **Sanidyne®  
Premium** have occupancy sensors  
to prevent encroachment incidences.

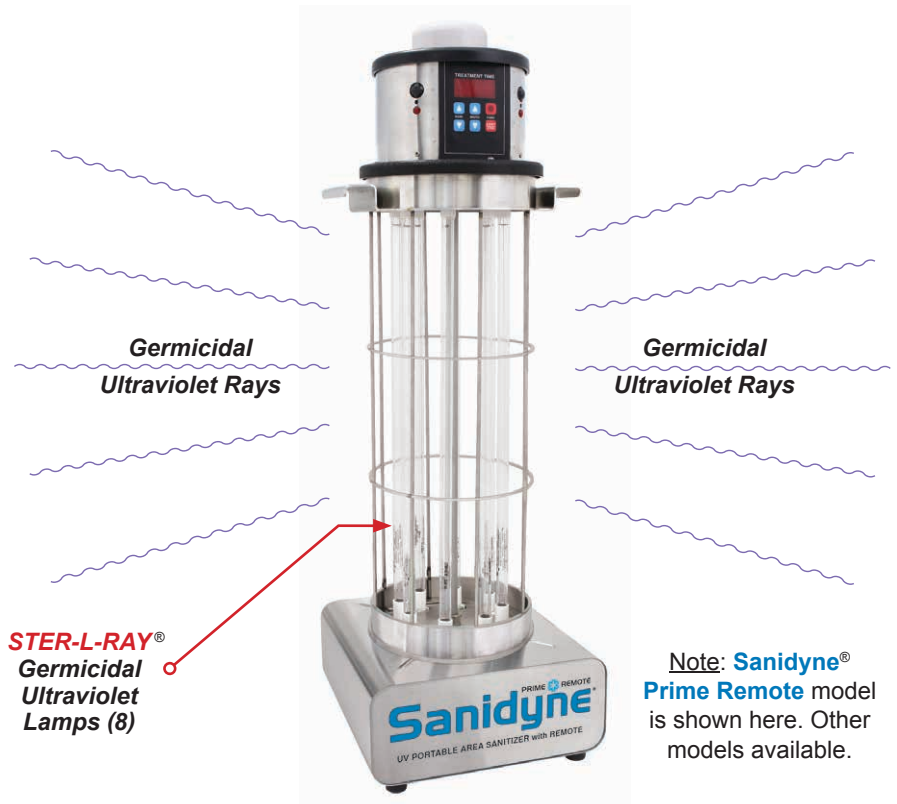
### **Easy to Use**

Fixtures are controlled via  
electronic keypad.

## PRINCIPLE OF OPERATION

The **Sanidyne®** Ultraviolet Portable Area Sanitizers have been carefully conceived to provide germicidal UV disinfection for purifying air and exposed surfaces in an **unoccupied** area by means of 8 germicidal ultraviolet lamps. These special lamps generate high levels of germicidal ultraviolet radiation lethal to infectious microorganisms such as bacteria, mold, and virus.

The ultraviolet disinfection dosage is a function of time and intensity to which the air and surrounding surfaces are exposed. Our UV Application Specialists would be happy to perform the necessary calculation to ensure the sanitizer we provide is appropriate for your particular application.



The operation of the **Sanidyne®** is as follows:

1. Clear room of all occupants (**Sanidyne®** can only be used in **unoccupied** areas). Affix warning signs (included) onto all doors of the room that is to receive the **Sanidyne®** disinfection.
2. Treatment time is set, start button engaged, built-in 1 minute, 30 second delay allows time for operator to leave area.
3. Ultraviolet rays are projected within the **unoccupied** area, for the programmed period of time.
4. The air and exposed surfaces within the room are disinfected. The infectious microorganisms such as bacteria, mold, and virus are inactivated.
5. The **Sanidyne®** treatment cycle ends. Its compact size and lightweight design allows it to be easily moved to the next location that needs disinfection.

# SPECIAL FEATURES

## Sanidyne® Prime Ultraviolet Portable Area Sanitizer

### STER-L-RAY® High Output Germicidal Ultraviolet Lamps

Specially designed high output lamps provide the utmost in quality, sustained output, and longevity (see page 12 for information).

**ArmorLite™** Safety Shield is a protective envelope applied to the germicidal lamps. It provides increased security by eliminating the dangers associated with broken lamps.

### Lamp Guard

Stainless steel cage that protects **STER-L-RAY®** lamps.

### Stainless Steel Construction

Manufactured in Type 304 stainless steel for unparalleled strength, durability, and an attractive finish.

### Surelite™ Ballasts

State-of-the-art electronic ballasts specifically developed for the operation of ultraviolet lamps. Versatile, programmed start ballasts provide high lamp output; are lightweight, efficient, and operate cool for longer life.

### Zenith™ UV-C Detector (optional)

The **Zenith™** UV-C Detector is a sensitive hand-held, self-contained battery operated ultraviolet meter that can be used for:

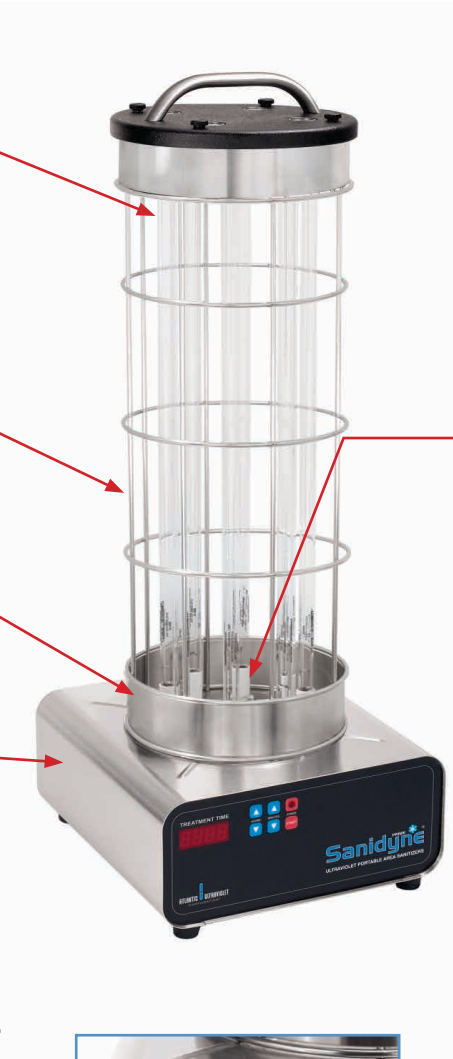
- Monitoring UV-C Germicidal Lamp Intensity & Aging
- Measuring UV-C Germicidal Fixture Leakage

### 24-Hour Interval Timer

Easy programmable timer allows treatment time to be customized to room size.

### Promate™ Warning Signs (2)

To be affixed to entry door(s) to warn that an ultraviolet sanitizer is in use and that the treatment area should not be entered. **Sanidyne® Prime** is for use only in unoccupied areas.



### Observation Ports (4)

Located on top of the **Sanidyne® Prime**, these ports allow inspection of the lamps with storage cover on, without the risk of ultraviolet exposure.

### Steadfast™ Bayonet Socket Mount Lampholders

Bayonet Socket Mount four-pin lampholders fasten each lamp securely while providing convenient, "quick and easy" lamp change.

### Promate™ Face Shield

(not shown, 1 supplied with this model) Lightweight visor with adjustable headgear provides eye and face protection from germicidal UV rays.

### Promate™ Safety Glasses

(optional) Safety eyewear should be used as general-purpose safety protection and for additional shielding from germicidal UV rays.



### 1-Minute and 30-Second Audible Exit Warning

After start button is engaged, an audible warning sounds for 1 minute and 30 seconds, allowing operator time to leave the area before disinfection cycle begins and ultraviolet lamps are switched on.



# SPECIAL FEATURES



- **Promate™ Elapsed Time Indicator**  
Real-time, non-resettable display of accumulated operating hours.
- **Cord Wrap**  
Convenient cord storage when **Sanidyne® Prime** is not in use.
- **Power Switch**



- **Transport Handle**  
Provides substantial grip when moving **Sanidyne® Prime**.
- **Removable Rigid Storage Cover**  
Made of polished stainless steel to protect the **STER-L-RAY®** Germicidal Ultraviolet Lamps from breakage while transporting and/or storing the **Sanidyne® Prime** and allows inspection of lamps in operation.



## SPECIFICATIONS—Sanidyne® Prime ✨ ULTRAVIOLET PORTABLE AREA SANITIZER

Model	Amps	Hertz	Power Consumption ①	Maximum Treatment Time	Lamp (Quantity)	Total UV Output ②	Weight (lbs)	Dimensions (Inches)			Rated Lamp Life
								Length	Width	Height	
120v	4.5	50/60	550 Watts	24 Hours	05-0892 (8)	143 Watts	27	13-15/16"	12-1/16"	31-1/2"	13,000 Hours
220v	2.5	50/60	550 Watts	24 Hours	05-0892 (8)	143 Watts	27	13-15/16"	12-1/16"	31-1/2"	13,000 Hours

① Total power consumption including ballast loss.  
 ② Ultraviolet Output at 254 nanometers at 100 hours and 80 degrees F (approximate).

# SPECIAL FEATURES

## Sanidyne® Prime Remote Ultraviolet Portable Area Sanitizer

WiFi Dome

Occupancy Sensors (4)

### STER-L-RAY® High Output Germicidal Ultraviolet Lamps

Specially designed high output lamps provide the utmost in quality, sustained output, and longevity (see page 12 for information). **ArmorLite™** Safety Shield is a protective envelope applied to the germicidal lamps. It provides increased security by eliminating the dangers associated with broken lamps.

Lamp Guard

Stainless steel cage that protects **STER-L-RAY®** lamps.

Surelite™ Ballasts

State-of-the-art electronic ballasts specifically developed for the operation of ultraviolet lamps. Versatile, programmed start ballasts provide high lamp output; are lightweight, efficient, and operate cool for longer life.

Stainless Steel Construction

Manufactured in Type 304 stainless steel for unparalleled strength, durability and an attractive finish.

Zenith™ UV-C Detector (optional)

The **Zenith™** UV-C Detector is a sensitive hand-held, self-contained battery operated ultraviolet meter that can be used for:

- Monitoring UV-C Germicidal Lamp Intensity & Aging
- Measuring UV-C Germicidal Fixture Leakage

Promate™ Warning Signs (2)

To be affixed to entry door(s) to warn that an ultraviolet sanitizer is in use and that the treatment area should not be entered. **Sanidyne® Prime Remote** is for use only in **unoccupied** areas.



### Keypad Controller



24-Hour Interval Timer

Easy programmable timer, allows treatment time to be customized to room size.

1-Minute and 30-Second Audible Exit Warning

After start button is engaged, an audible warning sounds for 1 minute and 30 seconds, allowing operator time to leave the area before disinfection cycle begins and ultraviolet lamps are switched on.

Steadfast™ Bayonet Socket Mount Lampholders

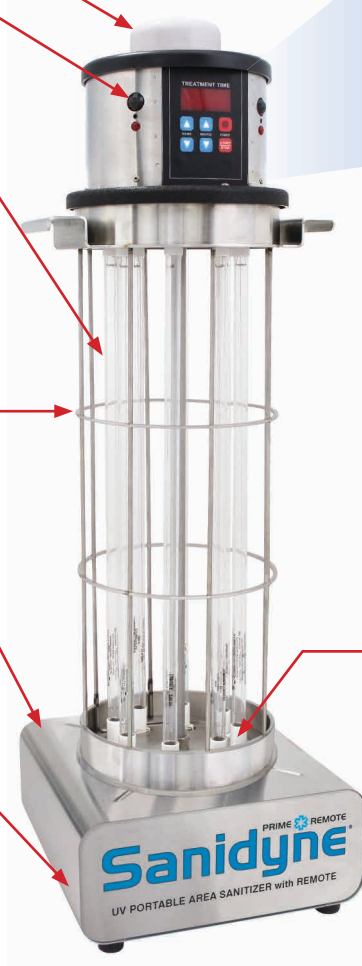
Bayonet Socket Mount four-pin lampholders fasten each lamp securely while providing convenient, "quick and easy" lamp change.

Promate™ Face Shield

(not shown, 1 supplied with this model) Lightweight visor with adjustable headgear provides eye and face protection from germicidal ultraviolet rays.

Promate™ Safety Glasses

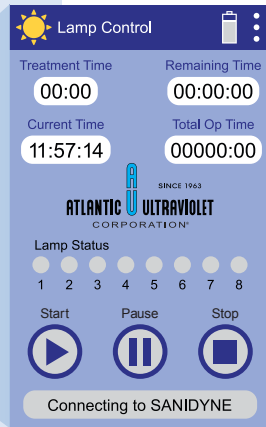
(optional) Safety eyewear should be used as general-purpose safety protection and for additional shielding from germicidal UV rays.



# SPECIAL FEATURES

## Remote

Control your **Sanidyne® Prime Remote** from a distance by using the convenient controller.



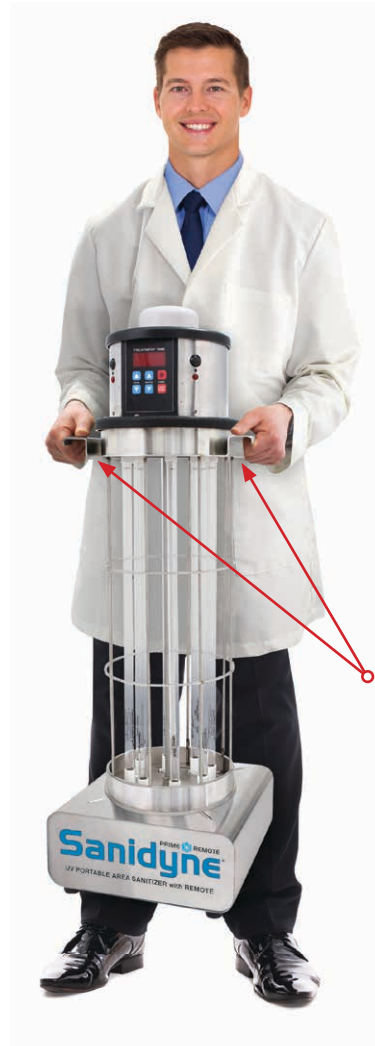
## Promate™ Elapsed Time Indicator

Real-time, non-resettable display of accumulated operating hours.

## Cord Wrap

Convenient cord storage when **Sanidyne® Prime Remote** is not in use.

## Power Switch



## Transport Handles

Provide substantial grip when moving **Sanidyne® Prime Remote**.

# SPECIFICATIONS—Sanidyne® Prime ✱ Remote ULTRAVIOLET PORTABLE AREA SANITIZER

Model	Amps	Hertz	Power Consumption ①	Maximum Treatment Time	Lamp (Quantity)	Total UV Output ②	Weight (lbs)	Dimensions (Inches)			Rated Lamp Life
								Length	Width	Height	
120v	4.5	50/60	550 Watts	24 Hours	05-0892 (8)	143 Watts	28	13-15/16"	12-1/16"	36-13/16"	13,000 Hours
220v	2.5	50/60	550 Watts	24 Hours	05-0892 (8)	143 Watts	28	13-15/16"	12-1/16"	36-13/16"	13,000 Hours

① Total power consumption including ballast loss.

② Ultraviolet Output at 254 nanometers at 100 hours and 80 degrees F (approximate).

# SPECIAL FEATURES

## Sanidyne® Plus+ Ultraviolet Portable Area Sanitizer

WiFi Dome

Occupancy Sensors (4)

### STER-L-RAY® High Output Germicidal Ultraviolet Lamps

Specially designed high output lamps provide the utmost in quality, sustained output, and longevity (see page 12 for information).

**ArmorLite™** Safety Shield is a protective envelope applied to the germicidal lamps. It provides increased security by eliminating the dangers associated with broken lamps.

### Lamp Guard

Stainless steel cage that protects **STER-L-RAY®** lamps.

### Stainless Steel Construction

Manufactured in Type 304 stainless steel for unparalleled strength, durability and an attractive finish.

### Surelite™ Ballasts

State-of-the-art electronic ballasts specifically developed for the operation of ultraviolet lamps. Versatile, programmed start ballasts provide high lamp output; are lightweight, efficient, and operate cool for longer life.

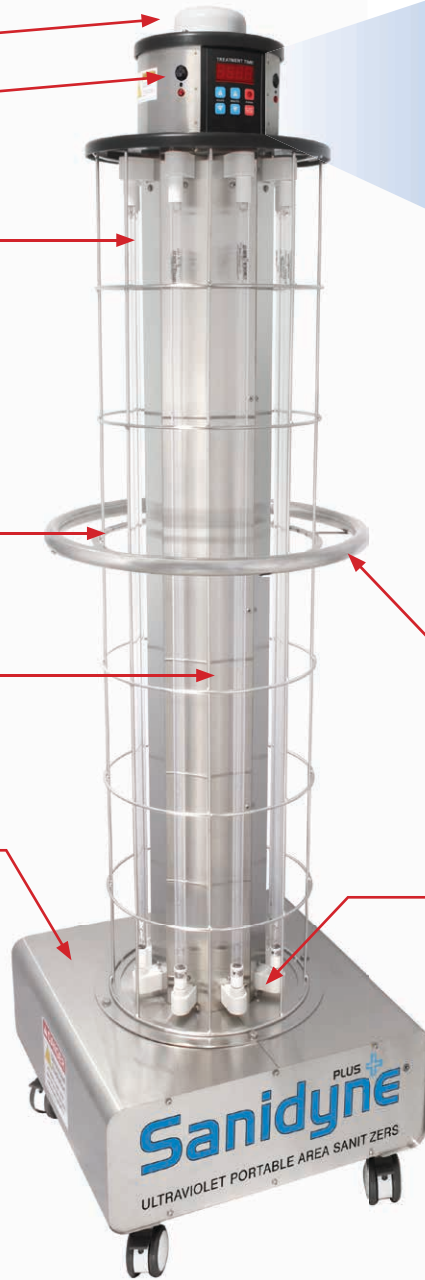
### Zenith™ UV-C Detector (optional)

The **Zenith™** UV-C Detector is a sensitive hand-held, self-contained battery operated ultraviolet meter that can be used for:

- Monitoring UV-C Germicidal Lamp Intensity & Aging
- Measuring UV-C Germicidal Fixture Leakage

### Promate™ Warning Signs (4)

To be affixed to entry door(s) to warn that an ultraviolet sanitizer is in use and that the treatment area should not be entered. **Sanidyne® Plus** is for use only in **unoccupied** areas.



### Keypad Controller



### 24-Hour Interval Timer

Easy programmable timer, allows treatment time to be customized to room size.

### 1-Minute and 30-Second Audible Exit Warning

After start button is engaged, an audible warning sounds for 1 minute and 30 seconds, allowing operator time to leave the area before disinfection cycle begins and ultraviolet lamps are switched on.

### Transport Handle

Provides substantial grip when moving **Sanidyne® Plus**.

### Steadfast™ Bipin Telescopic Lampholders

Lampholders fasten each lamp securely while providing convenient "quick and easy" lamp change.

### Promate™ Face Shield

(not shown, 2 supplied with this model) Lightweight visor with adjustable headgear provides eye and face protection from germicidal ultraviolet rays.

### Promate™ Safety Glasses

(optional) Safety eyewear should be used as general-purpose safety protection and for additional shielding from germicidal UV rays.

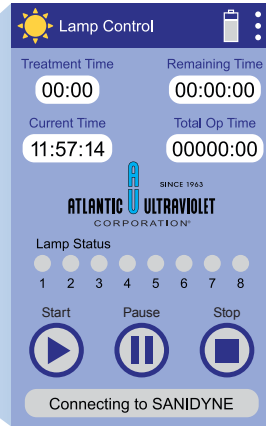




# SPECIAL FEATURES

## Remote

Control your **Sanidyne® Plus** from a distance by using the convenient controller.



## Power Switch



## Promate™ Elapsed Time Indicator

Real-time, non-resettable display of accumulated operating hours.

## Cord Wrap

Convenient cord storage when **Sanidyne® Plus** is not in use.

## Swivel Casters with Locking Function

Enables **Sanidyne® Plus** to be easily moved from one location to another.



# SPECIFICATIONS—Sanidyne® PLUS + ULTRAVIOLET PORTABLE AREA SANITIZER

Model	Amps	Hertz	Power Consumption ①	Maximum Treatment Time	Lamp (Quantity)	Total UV Output ②	Weight (lbs)	Dimensions (Inches)			Rated Lamp Life
								Length	Width	Height	
120v	10	50/60	1200 Watts	24 Hours	05-0893 (8)	312 Watts	76	21-3/4"	20"	68-1/2"	13,000 Hours
230v	5	50/60	1200 Watts	24 Hours	05-0893 (8)	312 Watts	76	21-3/4"	20"	68-1/2"	13,000 Hours

① Total power consumption including ballast loss.

② Ultraviolet Output at 254 nanometers at 100 hours and 80 degrees F (approximate).

# SPECIAL FEATURES

## Sanidyne® Premium Ultraviolet Portable Area Sanitizer

WiFi Dome

Occupancy Sensors (4)

### STER-L-RAY® Amalgam Germicidal Ultraviolet Lamps

Specially designed amalgam lamps provide the utmost in quality, sustained output, and longevity (see page 12 for information). **ArmorLite™** Safety Shield is a protective envelope applied to the germicidal lamps. It provides increased security by eliminating the dangers associated with broken lamps.

Lamp Guard

Stainless steel cage that protects **STER-L-RAY®** lamps.

Stainless Steel Construction

Manufactured in Type 304 stainless steel for unparalleled strength, durability and an attractive finish.

Surelite™ Ballasts

State-of-the-art electronic ballasts specifically developed for the operation of amalgam ultraviolet lamps. Versatile, efficient preheat ballasts provide higher lamp output. Operate on 120v.

Cooling Fans with Filters (4)

On either side of **Sanidyne® Premium**, these cool **Surelite™** ballasts during operation.

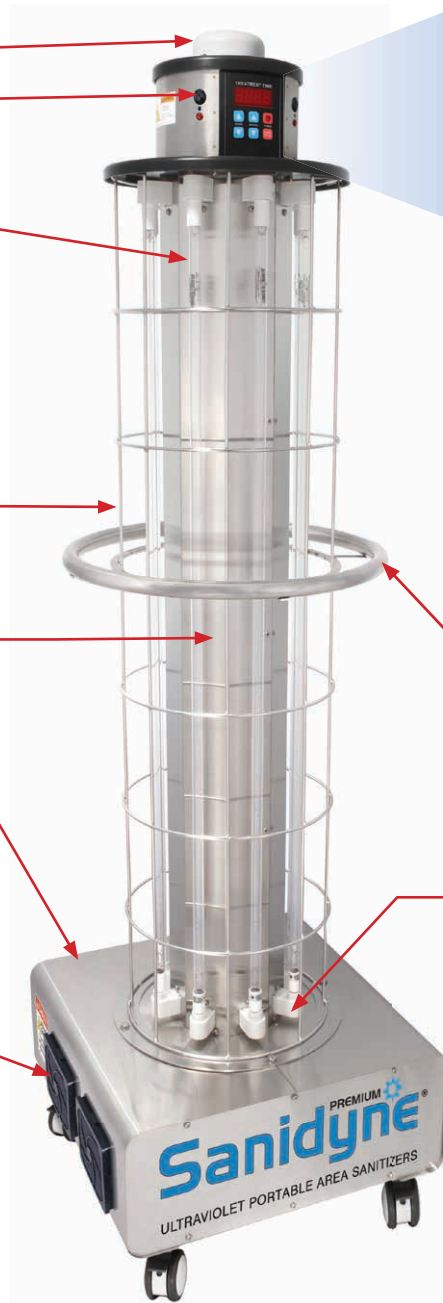
Zenith™ UV-C Detector (optional)

The **Zenith™** UV-C Detector is a sensitive hand-held, self-contained battery operated ultraviolet meter that can be used for:

- Monitoring UV-C Germicidal Lamp Intensity & Aging
- Measuring UV-C Germicidal Fixture Leakage

Promate™ Warning Signs (4)

To be affixed to entry door(s) to warn that an ultraviolet sanitizer is in use and that the treatment area should not be entered. **Sanidyne® Premium** is for use only in **unoccupied** areas.



### Keypad Controller



### 24-Hour Interval Timer

Easy programmable timer, allows treatment time to be customized to room size.

### 1-Minute and 30-Second Audible Exit Warning

After start button is engaged, an audible warning sounds for 1 minute and 30 seconds, allowing operator time to leave the area before disinfection cycle begins and ultraviolet lamps are switched on.

### Transport Handle

Provides substantial grip when moving **Sanidyne® Premium**.

### Steadfast™ Bipin Telescopic Lampholders

Lampholders fasten each lamp securely while providing convenient "quick and easy" lamp change.

### Promate™ Face Shield

(not shown, 2 supplied with this model) Lightweight visor with adjustable headgear provides eye and face protection from germicidal ultraviolet rays.

### Promate™ Safety Glasses

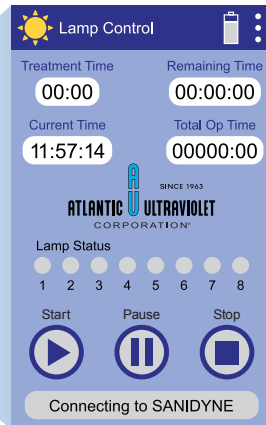
(optional) Safety eyewear should be used as general-purpose safety protection and for additional shielding from germicidal UV rays.



# SPECIAL FEATURES

## Remote

Control your **Sanidyne® Premium** from a distance by using the convenient controller.



## Power Switch



## Promate™ Elapsed Time Indicator

Real-time, non-resettable display of accumulated operating hours.

## Cord Wrap

Convenient cord storage when **Sanidyne® Premium** is not in use.

## Swivel Casters with Locking Function

Enables **Sanidyne® Premium** to be easily moved from one location to another.



## SPECIFICATIONS—Sanidyne® PREMIUM ⚙️ ULTRAVIOLET PORTABLE AREA SANITIZER

Model	Amps	Hertz	Power Consumption ①	Maximum Treatment Time	Lamp (Quantity)	Total UV Output ②	Weight (lbs)	Dimensions (Inches)			Rated Lamp Life
								Length	Width	Height	
120v	16	50/60	1950 Watts	24 Hours	05-0250 (8)	480 Watts	104	21-3/4"	20-15/16"	68-1/2"	13,000 Hours

① Total power consumption including ballast loss.

② Ultraviolet Output at 254 nanometers at 100 hours and 80 degrees F (approximate).

# GENUINE **STER-L-RAY**® GERMICIDAL LAMPS

**STER-L-RAY**® Germicidal Lamps are short-wave, low pressure tubes that produce ultraviolet wavelengths lethal to microorganisms. Approximately 95% of the ultraviolet energy emitted from **STER-L-RAY**® germicidal lamps is at 254 nanometers, the region of germicidal effectiveness most destructive to bacteria, mold and virus.

**STER-L-RAY**® High Output (HO) Germicidal UV Lamps are similar in size and shape to conventional germicidal UV lamps but are capable of operating at higher UV output. The HO lamps yield more UV watts than standard UV-C lamps of the same length.

**STER-L-RAY**® Enhanced Output Amalgam Lamps provide germicidal ultraviolet output three or more times than that of conventional germicidal lamps of similar length without sacrificing efficiency or lamp life. **STER-L-RAY**® Enhanced Output Amalgam Lamps are the highest expression of ultraviolet lamp technology and as such are the subject of ongoing technical development and improvement. Custom and proprietary designs are available to satisfy specialized needs.

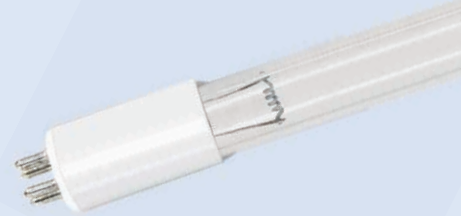
**ArmorLite**™ protective coating is applied to **STER-L-RAY**® Germicidal Lamps in all

**Sanidyne**® models, ensuring protection for employees, products, and work environments by eliminating the dangers associated with broken lamps.

**STER-L-RAY**®, **ArmorLite**™, **Sanidyne**® Prime, **Sanidyne**® Prime Remote, **Sanidyne**® Plus, **Sanidyne**® Premium, and their appropriate logos are trademarks of Atlantic Ultraviolet Corporation®.

**CAUTION:** Exposure to direct or reflected germicidal ultraviolet rays will cause painful eye irritation and reddening of the skin. Personnel subject to such exposure must wear suitable face shield, gloves and protective clothing.

Hg - LAMP CONTAINS MERCURY, manage in accord with disposal laws, see: LampRecycle.org.



**STER-L-RAY**®  
High Output Germicidal  
Ultraviolet Lamp with  
Armorlite™ Safety Shield,  
used in **Sanidyne**® Prime  
and **Sanidyne**® Prime Remote

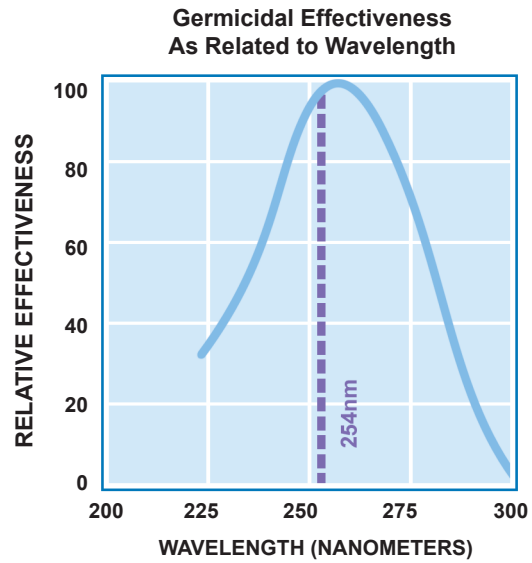
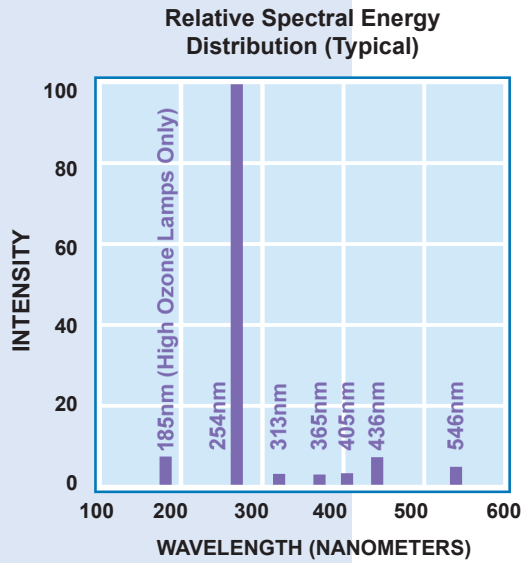


**STER-L-RAY**®  
High Output Germicidal  
Lamp with **ArmorLite**™  
Safety Shield, used in  
**Sanidyne**® Plus



**STER-L-RAY**®  
Amalgam Germicidal  
Lamp with **ArmorLite**™  
Safety Shield, used in  
**Sanidyne**® Premium

# OPERATING CHARACTERISTICS



## ULTRAVIOLET DOSAGE

Germicidal lamps provide effective protection against microorganisms. A small cross-section is shown below.

ORGANISM	ALTERNATE NAME	TYPE	DISEASE	DOSE*
<i>Corynebacterium diphtheriae</i>	<i>C. diphtheriae</i>	Bacteria	Diphtheria	6.50
<i>Legionella pneumophila</i>	<i>L. pneumophila</i>	Bacteria	Legionnaire's Disease	12.30
<i>Mycobacterium tuberculosis</i>	<i>M. tuberculosis</i>	Bacteria	Tuberculosis (TB)	10.00
<i>Pseudomonas aeruginosa</i>	<i>P. aeruginosa</i>	Bacteria		3.90
<i>Serratia Marcescens</i>	<i>S. marcescens</i>	Bacteria		6.16
<i>Staphylococcus aureus</i>	<i>S. aureus</i>	Bacteria		6.60
<i>Staphylococcus epidermidis</i>	<i>S. epidermidis</i>	Bacteria		5.80
<i>Methicillin-resistant Staphylococcus aureus</i>	MRSA	Bacteria		6.50
<i>Clostridium difficile</i>	<i>C. diff</i>	Spore		16.00
Adeno Virus Type III		Virus		4.50
Coxsackie A2		Virus		6.30
Influenza		Virus	Flu	6.60

\* Nominal Ultraviolet dosage (mJ/cm<sup>2</sup>) necessary to inactivate better than 99% of specific microorganism. Consult factory for more complete listing.

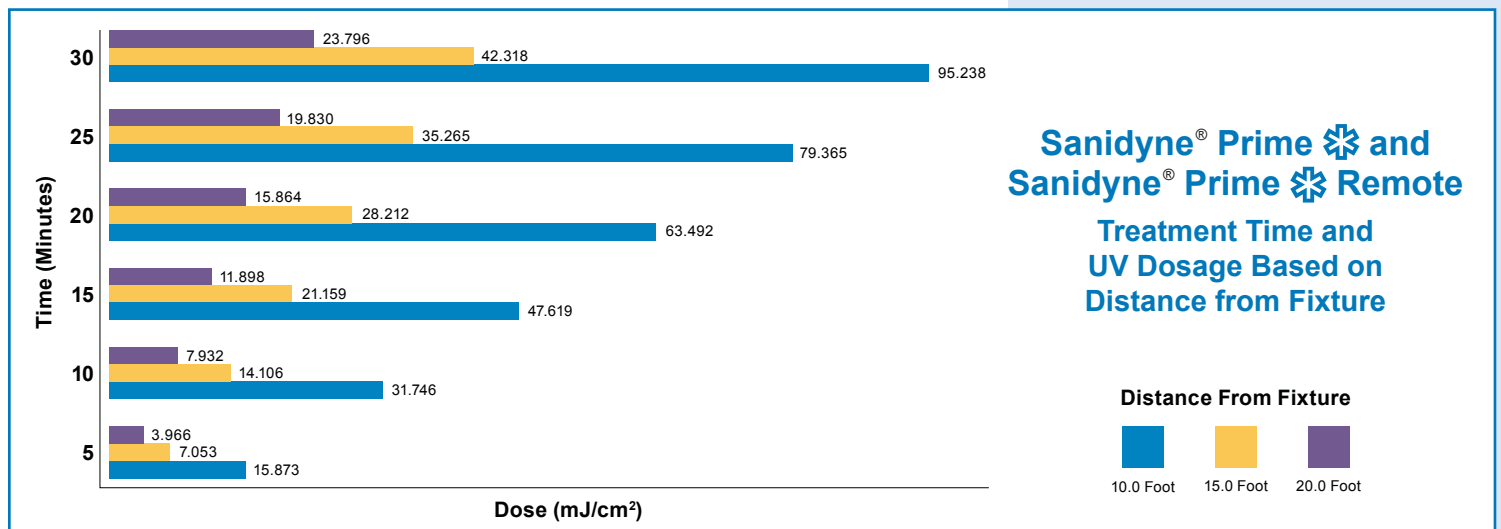
# APPLICATIONS

**Sanidyne**® Ultraviolet Portable Area Sanitizers disinfect air and surfaces in **unoccupied** areas by means of 8 **STER-L-RAY**® Germicidal Ultraviolet Lamps. The **STER-L-RAY**® lamps generate high levels of germicidal ultraviolet radiation lethal to bacteria, mold, virus, and fungi. The compact size and lightweight design of **Sanidyne**® Portable Area Sanitizers conveniently allows them to be moved from one location to another, providing disinfection wherever and whenever necessary.

Typical applications for the **Sanidyne**® include: Operating Rooms, Patient Rooms, Laboratories, Clean Rooms, Open Work Space, Homeless Shelters, Auditoriums, Hotel Rooms, Gymnasiums, Morgues, Open Office Areas, or areas where permanently mounted fixtures are not an option.

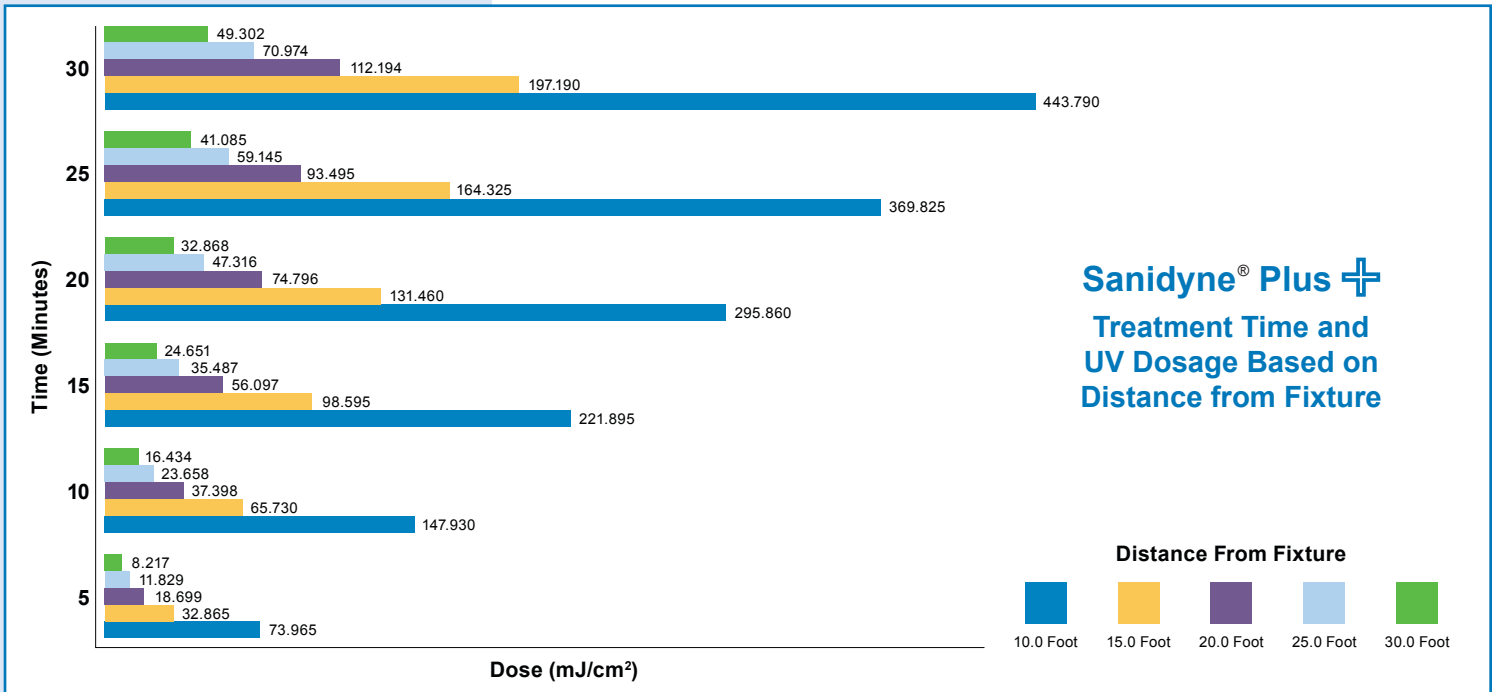
The **Sanidyne**® Ultraviolet Portable Area Sanitizers do not require professional installation.

Access to the room **must** be avoided when **Sanidyne**® is in operation.

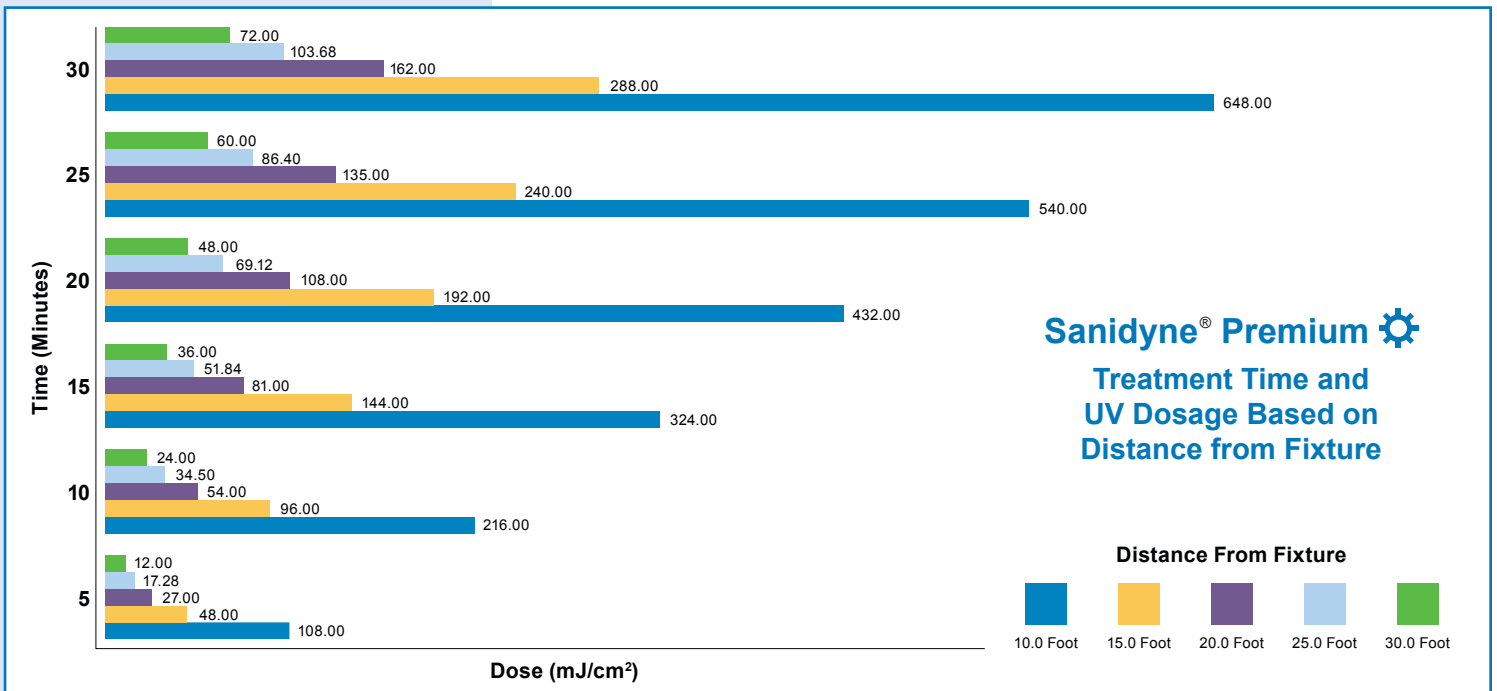


Note: Dose shown above is expressed as mJ/cm<sup>2</sup> (millijoule per square centimeter).

# APPLICATIONS



Note: Dose shown above is expressed as mJ/cm<sup>2</sup> (millijoule per square centimeter).



Note: Dose shown above is expressed as mJ/cm<sup>2</sup> (millijoule per square centimeter).

*The Standard of Excellence In Ultraviolet*



*Manufacturers / Engineers / Sales / Service – Germicidal Ultraviolet - Equipment & Lamps*

**ATLANTIC**  **ULTRAVIOLET**  
CORPORATION®  
SINCE 1963



**ultraviolet.com**

**buy**  
**ultraviolet.com** 

375 Marcus Boulevard • Hauppauge, NY 11788 • 631.273.0500 • Fax: 631.273.0771  
Email: Sales@AtlanticUV.com • Ultraviolet.com • BuyUltraviolet.com

The information and recommendations contained in this publication are based upon data collected by the Atlantic Ultraviolet Corporation® and are believed to be correct. However, no guarantee or warranty of any kind, expressed or implied, is made with respect to the information contained herein. Specifications and information are subject to change without notice.

Document No. 98-1714 • March 2020



©2020 by Atlantic Ultraviolet Corporation®