

APPLICATION

Amsco Century Small Sterilizers are designed for sterilization of materials used in healthcare facilities. They are available in two configurations:

- **Gravity** – designed for sterilization of heat- and moisture-stable materials and sterilization of items intended for immediate use. Gravity sterilizers are equipped with gravity and flash cycles.
- **Prevacuum** – designed for fast, efficient sterilization of heat- and moisture-stable materials in addition to the same sterilization capabilities as a gravity sterilizer. Prevacuum sterilizers are equipped with prevacuum, gravity, flash, express, leak test and daily air removal test cycles.

Each configuration includes choice of a single or double door, for open or recessed mounting.*

* Recess mounting is not available for 16 x 16 x 26" (406 x 406 x 660 mm) double door sterilizers.

DESCRIPTION

Amsco Century Small Sterilizers are the next advancement in the STERIS line of steam-jacketed sterilizers and are equipped with the latest features in both state-of-the-art technology and ease of use.

Primary Product Features

Century control system with enhanced functionality and user-friendly interface screen.

- Touch-sensitive screen with 30-line x 40-character display area
- Ink-on-paper impact printer



- Help screens for programming and troubleshooting alarm conditions
- Standard communication interface with most PC compatible peripheral devices (e.g., disk drives, printers)

The Selections Checked Below Apply To This Equipment

Size/Type

- 16 x 16 x 26", Gravity
- 16 x 16 x 26", Gravity with Liquid Cycle
- 20 x 20 x 38", Gravity
- 20 x 20 x 38", Gravity with Liquid Cycle
- 16 x 16 x 26", Prevacuum
- 16 x 16 x 26", Prevacuum with Liquid Cycle
- 20 x 20 x 38", Prevacuum
- 20 x 20 x 38", Prevacuum with Liquid Cycle

Steam Source

- Building Steam
- Electric Steam¹
 - 208 Volts
 - 240 Volts
 - 480 Volts

Doors

- Single Double

Single Door Mounting

- Cabinet Enclosed/Freestanding
- Recessed

Double Door Mounting

- Recessed through One Wall
- Recessed through Two Walls²

Optional Cycle

- Optional Liquid Cycle

Accessories

- Loading Rack and Two Shelves 20 x 20 x 38" (standard on 16 x 16" units)
 - Single Door Double Door
- One Intermediate Shelf
 - 16 x 16 x 26"
 - 20 x 20 x 38"
- Loading Car (20 x 20" units only)
- Transfer Carriage (20 x 20" units only)
- Chamber Track Assembly (20 x 20" units only)
 - Single Door Double Door
- Loading Car, Transfer Carriage, and Track Assembly (20 x 20" units only)
 - Single Door Double Door
- Seismic Tie-Down Kit

Remote Monitoring

- ProConnect® Response Center (Remote Monitoring, Priority Technical Support, Customer Care Center Access, Equipment Performance Reports)

¹ 16 x 16 x 26" Double Door Sterilizers are not available with electric steam generator.

² Available for 20 x 20 x 38" Double Door Sterilizers only. Contact engineering if mounting through two walls is required for a 16 x 16 x 26" sterilizer.

Item _____

Location(s) _____

- Automatic check of control program and cycle data maintains process integrity
- Service reprogrammable flash ROM memory

Vertical sliding door with hands-free loading and unloading capability.

- Foot pedal activated door opening and closing
- Non lubricated, steam-activated door seal

Modularized vessel and piping for increased dependability and reduced servicing time.

- Reduced piping components increase reliability
- Emergency manual exhaust valve
- Electronic water saving control

Interior Chamber Dimensions

- 16 x 16 x 26" (406 x 406 x 660 mm)
- 20 x 20 x 38" (508 x 508 x 965 mm)

STANDARDS

Each sterilizer meets applicable requirements of the following listings and standards, and carries the appropriate symbols:

- **ANSI/UL 61010-1** and **CAN/CSA-C22.2 No. 61010-1** - Standard for Electrical Equipment for Measurement, Control and Laboratory Use, Part 1: General Requirements
- **ANSI/UL 61010A-2-041** and **CAN/CSA-C22.2 No 1010.2.041** - Standard for Electrical Equipment for Measurement, Control and Laboratory Use, Part 2: Particular Requirements for Autoclaves using Steam for the Treatment of Medical Materials and Laboratory Processes
- **ANSI/AAMI-ST8** "Hospital Steam Sterilizers" American National Standard
- **ASME Code, Section VIII, Division 1** for unfired pressure vessels. The pressure vessel is so stamped; ASME Form U-1 is furnished. Shell and door are constructed to withstand working pressure of 50 psig (344.7 kPa).
- **ASME Code, Section I, Part PMB** for power boilers, if optional steam generator is supplied.

FEATURES

Hinged front cabinet panel fully opens for convenient access to sterilizer piping and control board housing.

Resistance Temperature Detectors (RTD) are installed for sterilizer temperature control. The chamber drain line RTD senses and controls temperature variations within the sterilizer chamber. A jacket RTD provides temperature control within the jacket space. These RTD signals, converted into electrical impulses, provide accurate control inputs and readouts throughout entire cycle.

Electronic water saving control includes a condenser RTD to control the amount of water used in condensing the exhausted chamber steam.

Software calibration is performed in the Service Mode, accessible through the touch screen displays, and accomplished using external or internal temperature and pressure sources. Control system provides printed record of all calibration data for verification to current readings.

Automatic utilities startup/shutdown permits slow cooling of the entire vessel and load. Shutdown may be programmed to activate at the end of any designated cycle or time of day. When activated, control system automatically shuts off all utility valves, conserving steam and water usage. Sterilizer utilities

can be restarted either by programmed time or manual operation. A different shutdown and restart time can be programmed for each day.

Steam purge feature is provided to assist in air removal and preheat the load.

One-piece insulation sleeve is fitted around exterior of the sterilizer vessel. The sleeve is sealed and held in place by hook-and-loop closures. Insulation is asbestos-free and chloride-free, silicone impregnated oil- and water-resistant fiberglass.

Lighted DIN connectors are installed on all steam, water and exhaust valves for reliability and ease of maintenance.

ProConnect® Response Center - Minimize response time and minimize unscheduled downtime on your equipment. Secure, internet-based, 24/7 remote monitoring enables both Predictive Maintenance as well as instant alert to STERIS when there is an equipment alarm. Also included are priority technical support, online parts ordering, equipment performance dashboards and scheduling service at eservice.steris.com.

PROCESSING CYCLES

- **Flash Cycle (3-minute exposure):** This cycle is for sterilizing an unwrapped item intended for immediate use (e.g., a dropped instrument). The recommended load is one unwrapped instrument tray containing a single instrument. Sterilize exposure temperature: 270°F (132°C); sterilize exposure time: 3 minutes; dry time: 1 minute. This cycle is validated to AAMI standard ST-8.
- **Flash Cycle (10-minute exposure):** This cycle is for sterilizing items intended for immediate use (e.g., dropped instruments). The recommended load is one unwrapped instrument tray containing one or more nonporous instruments, with a maximum weight of 17 lbs (7.7 kg). Sterilize exposure temperature: 270°F (132°C); sterilize exposure time: 10 minutes; dry time: 1 minute. This cycle is validated to AAMI standard ST-8.
- **Express Cycle (prevacuum sterilizers, only):** This cycle is for sterilizing a single instrument in a single-wrapped tray (e.g., a dropped instrument). The recommended load is one single-wrapped instrument tray containing a single instrument (nonporous items only). Sterilize exposure temperature: 270°F (132°C); sterilize exposure time: 4 minutes; dry time: 3 minutes. This cycle is validated to AAMI standard ST-8.
- **270°F Prevac Cycle (prevacuum sterilizers only):** This cycle is for sterilizing double-wrapped instrument trays. The recommended load is up to two double-wrapped instrument trays, with a maximum combined weight of 17 lbs (7.7 kg) per tray, or up to six fabric packs. Sterilize exposure temperature: 270°F (132°C); sterilize exposure time: 4 minutes; dry time: 20 minutes. This cycle is validated to AAMI standard ST-8.
- **275°F Prevac Cycle (prevacuum sterilizers only):** This cycle is for sterilizing double-wrapped instrument trays. The recommended load is up to two double-wrapped instrument trays, with a maximum combined weight of 17 lbs (7.7 kg) per tray. Sterilize exposure temperature: 275°F (135°C); sterilize exposure time: 3 minutes; dry time: 16 minutes. This cycle is validated to AAMI standard ST-8.
- **270°F Gravity Cycle:** This cycle is for sterilizing double-wrapped instrument trays. The recommended load is up to two double-wrapped instrument trays, with a maximum weight of 17 lbs (7.7 kg) per tray. Sterilize exposure temperature: 270°F (132°C); sterilize exposure time: 15

minutes; dry time: 30 minutes. This cycle is validated to AAMI standard ST-8.

- **250°F Gravity Cycle:** This cycle is for sterilizing fabric packs. The recommended load is up to six fabric packs. Sterilize exposure temperature: 250°F (121°C); sterilize exposure time: 30 minutes; dry time: 15 minutes. This cycle is validated to AAMI standard ST-8.

NOTE: A 270°F Gravity Cycle, adjusted for 25-minute sterilize exposure time, can be used for processing fabric packs.

PREVACUUM TESTING CYCLES

- **Vacuum Leak Test:** This cycle is used for testing the vacuum integrity of the sterilizer's piping. Sterilizer chamber must be empty while running this test cycle. Sterilize exposure temperature: 270°F (132°C); all timing is preprogrammed and cannot be adjusted. This cycle is validated to AAMI standard ST-8.
- **DART® (Bowie-Dick) Test Cycle:** This cycle is used to conduct a Bowie-Dick test on the sterilizer. Recommended load is a STERIS Dart® pack, or a properly prepared Bowie-Dick test pack. Sterilize exposure temperature: 270°F (132°C); sterilize exposure time: 3-1/2 minutes; dry time: 1 minute. This cycle is validated to AAMI standard ST-8.

OPTIONAL CYCLES

- **Optional Liquid Cycle:** This cycle is used for sterilizing liquids in borosilicate containers with vented closures. Recommended load is up to three 1,000-mL containers at 45-minute exposure time. Sterilize exposure temperature: 250°F (121°C); factory programmed sterilize exposure time is 45 minutes; dry time is not applicable. This cycle is validated to AAMI standard ST-8.

Important: Sterilization of liquids for direct patient contact is not recommended.

CONTROL SYSTEM

Design Features

Century control system monitors and controls all sterilizer operations and functions. The control system is factory-programmed with standard sterilizing cycles. Each cycle is adjustable to meet specific processing requirements. All control configuring is performed through the touch screen displays.

Important: If factory-programmed cycle values are changed, it is necessary for the operator to verify the efficacy of the changed cycle.

Cycle values and operating features may be adjusted and verified prior to cycle operation. Once cycle is started, cycles and cycle values cannot be changed until cycle is complete. On completion of cycle, timers reset to the previously selected values, eliminating the need to reset values between repeated cycles. If chamber temperature drops below set point during the exposure phase, the timer is set to stop and automatically reset once normal operating temperature is reached.

Critical control system components are housed within a sealed compartment to protect the components from moisture and heat generated during the sterilization process. A cooling fan with filter is installed in the housing compartment to maintain positive pressure within the compartment, keeping components cool and dust-free.

Operator interface control panel, consisting of a touch screen and impact printer, is located on the operating (load or nonsterile) end of the sterilizer. If sterilizer is equipped with double doors, an additional touch screen is provided on the sterilizer's non-operating (unload or sterile) end.

- **Touch-Sensitive Screen** features a 30-line x 40-character graphics display. The control's touch screen color display features a wide viewing angle and high-visibility backlighting. All sterilizer functions, including cycle initiation and cycle configuration, are operated by pressing the touch-sensitive areas on the display, referred to as *buttons*. Display indicates appropriate control buttons, operator prompts, and status messages necessary to assist in sterilizer operation. All displayed messages are complete phrases with no codes to be cross-referenced. Display also indicates any abnormal conditions that may exist either in or out of a cycle.
- **Ink-On-Paper Impact Printer**, located above touch screen, provides an easy-to-read printed record of all pertinent cycle data on 2-1/4" wide paper. Data is automatically printed at the beginning and end of each cycle and at transition points during the cycle.

Printer take-up spool stores an entire roll of paper, providing cycle records which can be saved for future reference.

Three paper tape rolls are furnished with each unit.

Non-operating end (NOE) control panel, equipped on double-door sterilizers only, includes a touch-sensitive screen similar to the operating end screen. Preprogrammed cycles can be started from the NOE control panel. Display concurrently shows the same information as the operating end screen display.

Cycle configuration is performed by accessing the Change Values menu through the operating end touch screen. In addition to adjustment of cycle values, the following operating parameters can also be changed through the Change Values menu:

- **Time Display and Printout Units** – Standard AM/PM or 24-hour military (MIL).
- **Access Code** – requires entry of a four-digit access code to operate the sterilizer and/or change the cycle values. Operating the sterilizer or accessing Change Values menu causes display to request the entry of an access code. If access code is not properly entered, display returns to the standby or main menu screen, denying user access to the sterilizer or programming.
- **Audible Signals** - are adjustable. **Touch pad** and **end-of-cycle signals** can be adjusted to one of four sound levels (off, low, medium or high) as required for the operating environment. **Alarm signal** can be adjusted to low, medium or high (it cannot be turned off).

STATUS DOOR OPEN				1
TEMP 000 F				
PRESS 00 PSIG				
1 FLASH 270F S=03M D=01M	2 FLASH 270F S=10M D=01M	3 EXPRESS 270F S=04M D=03M	4 PREVAC 270F S=04M D=20M	
00:00 AM		00-00-00		
PAPER FEED	MENU	MORE CYCLES	STANDBY	

Typical Touch Screen Display

- **Print Format** - allows selection of either a full or condensed printout of the cycle information during processing.
- **Temperature Display and Printout Units** - Fahrenheit (°F) or Celsius (°C). Temperature is set, displayed, controlled and printed to the nearest 1°. Recalibration is not required when changing temperature units from °F to °C and vice versa.
- **Pressure/Vacuum Display and Printout Units** - psig/In Hg or bar. Recalibration is not required when changing pressure units.

Technical Data

Control system consists of microcomputer control boards and peripheral function circuit boards, located within the control board housing behind the front cabinet service panel above the chamber.

An **internal battery** backs up all cycle memory for up to 10 years. If a power failure occurs during a cycle, the battery backup system ensures that cycle memory will be retained and proper cycle completion will occur once power is restored. When power is lost, the cycle is held in phase until power is restored, exceeding the minimum government specification of one minute. Once power returns, the event is recorded on the printout and the cycle automatically resumes or restarts, depending on what phase the cycle was in at the time of power loss. If necessary, the operator can manually abort the cycle.

SAFETY FEATURES

Control Lockout Switch, equipped on chamber door, senses when door seal is energized and tight against the door. Control prevents cycle from starting until the limit switch signal is received. If control loses appropriate signal during cycle, alarm activates, cycle aborts, and chamber safely vents with a controlled exhaust.

Chamber Float Switch activates alarm, aborts cycle, and safely vents chamber with a controlled exhaust if excessive condensate is detected in the vessel chamber.

Pressure Relief Valve limits the amount of pressure buildup so that the rated pressure in the vessel is not exceeded.

CONSTRUCTION

Shell Assembly

Two fabricated Type 316L stainless-steel shells, welded one within the other, form the sterilizer vessel. Type 316L stainless-steel end frame(s) is welded to door end. On single door units, back of chamber is fitted with welded, 316L stainless-steel formed head.

Sterilizer vessel is ASME rated at 50 psig (3.5 bar) and insulated. Vessel (20 x 20" [508 x 508 mm] units only) includes one 1.0"-NPT welded chamber bushing for Customer use.

Steam-supply opening inside the chamber is shielded by a Type 316L stainless-steel baffle.

Chamber Door(s)

Door is constructed of a single formed piece of Type 316L stainless steel. Door is insulated to reduce the surface temperature of the stainless-steel door cover.

During cycle operation, door is sealed by a steam-activated door seal. Door seal is constructed of a special long-life rubber compound. When sterilizer cycle is complete, the seal retracts

under vacuum into a machined groove in the sterilizer's end frame. Door seal can be manually retracted to open door and remove critical load in emergency situation if loss of vacuum or loss of power occurs.

Door is suspended by cables attached to a counterweight. Chamber door is opened (lowered) and closed (raised) by pressing a foot pedal located on the same end as the door being operated. In case of a power or mechanical failure, door can be operated manually.

A long-life proximity switch is used by the control to determine if door is closed. An additional seal pressure switch prevents inadvertent cycle initiation if door is not sealed.

The door assembly is equipped with a mechanical locking mechanism that ensures the door cannot be opened as long as the seal is intact and energized and more than 2.0 psi pressure is in the chamber.

The sterilizer door opening is fitted with a textured thermoplastic bezel. This bezel insulates the operator from the chamber end ring, lessening the chance of accidental contact with a hot metal surface.

Chamber Drain System

Drain system is designed to prevent pollutants from entering into the water-supply system and sterilizer. The automatic condensing system converts chamber steam to condensate and disposes condensate to waste. Cooling water flow is regulated by the waste line RTD to minimize water usage. Water supply shutoff valve is located behind the front cabinet service panel under the chamber.

Vacuum System (Prevacuum Units Only)

Water ejector reduces chamber pressure during prevacuum and post-drying phases. Air is drawn from chamber through the vacuum system. Following dry phase, chamber vacuum is relieved to atmospheric pressure by admitting air through a bacteria-retentive filter.

Steam Source

Sterilizers are piped, valved and trapped to receive building-supplied steam delivered at 50 to 80 psig (3.5 to 5.6 bar) dynamic. If building steam source is not available, an electric carbon-steel steam generator may be provided to supply steam to the sterilizer. Steam piping is constructed of brass and includes a shutoff valve, steam strainer and a brass pressure regulator.

Piping

All piping connections terminate within the confines of the sterilizer and are accessible from front and side of sterilizer.

- **Solenoid Valves** in the manifold with DIN connectors simplify sterilizer piping and can be serviced individually.
- **Manual Shutoff Valves** are pressure rated at 125 psig (8.62 bar) for saturated steam. Valve handles are low-heat conducting.

MOUNTING ARRANGEMENT

Sterilizers are arranged for either freestanding or recessed installation, as specified. Each sterilizer is equipped with a height-adjustable, steel floor stand. Sterilizer subframe is equipped with a synthetic rubber gasket to ensure tight fit between the cabinet panels on freestanding units or between the front cabinet panel and wall partition on recessed units.

On freestanding units, stainless-steel side panels and a louvered top panel enclose the sterilizer body and piping.

ACCESSORY

Seismic Tie-Down Kit - conforms to Title 24 California Code of Regulations, 1993 Amendment Section 2336(B).

PREVENTIVE MAINTENANCE

A global network of skilled service specialists can provide periodic inspections and adjustments to help ensure low-cost peak performance. STERIS representatives can provide information regarding annual maintenance agreements.

NOTES

1. The sterilizer is not supplied with a vacuum breaker or backflow preventer and, where required by local codes, installation of such a device in the water line is not provided by STERIS.
2. Pipe sizes shown indicate terminal outlets only. Building service lines (not provided by STERIS), must supply the specified pressures and flow rates.
3. Disconnect switches (with OFF position lockout only; not provided by STERIS) should be installed in electric supply lines near the equipment.
4. Access to the recessing area from the control end of the sterilizer is recommended.
5. Clearances shown are minimal for installing and servicing the equipment.
6. If loading car and carriage are to be used with a 20 x 20 x 38" (508 x 508 x 965 mm) sterilizer, front clearance should be at least 76" (1930 mm). This will permit complete withdrawal of the loading car from the chamber and allow convenient maneuverability of the transfer assembly to and from the sterilizer.
7. Floor drain should be provided within confines of sterilizer framework.

UTILITY REQUIREMENTS

Sterilizer Using *House Steam*

Steam

1/2" NPT, 50 to 80 psig (3.5 to 5.6 bar) dynamic, 97 to 100% vapor quality.

Drain

1-1/2" ODT drain terminal. (Floor drain capacity must handle peak water consumption; refer to Engineering Data.)

Electrical - Controls

120 Volt, 50/60 Hz, 1-phase, 2.0 Amps.

Sterilizer Feed Water

1" NPT, 30 to 50 psig (2.1 to 3.5 bar) dynamic. Water is used for ejector and trap cooling. Refer to **Table 1** for recommended water quality. Use of feed water within the nominal conditions will optimize equipment performance and reduce maintenance.

NOTE: Backflow prevention (not supplied on unit) is not provided by STERIS.

Sterilizer Equipped with Integral Carbon Steel Steam Generator

Drain

1-1/2" ODT drain terminal. (Floor drain capacity must handle peak water consumption; refer to Engineering Data.)

Generator Drain

1/2" ODT.

Electrical - Controls

120 Volt, 50/60 Hz, 1-phase, 9.5 Amps. **x2 total outlets**

Electrical - Generator for 20x20x38"

208 Volt, 50/60 Hz, 3-phase, 83.2 Amps; 240 Volt, 50/60 Hz, 3-phase, 72.2 Amps; or 480 Volt, 50/60 Hz, 3-phase, 37 Amps.

for 16x16x26"

-208V 50/60Hz 3ph - 55.5A
-240V 50/60Hz 3ph - 48.1A
-240V 50/60Hz 1ph - 83.3A
-480V 50/60Hz 3ph - 24.1A

Sterilizer Feed Water

1.0" NPT, 30 to 50 psig (2.1 to 3.5 bar) dynamic. Refer to **Table 1** for water specification guidelines.

Steam Generator Feed Water

1/2" NPT, 20 to 50 psig (1.4 to 3.5 bar) dynamic. Refer to **Table 2** for required water quality. Use of feed water within the nominal conditions will optimize equipment performance and reduce maintenance.

NOTE: Backflow prevention (not supplied on unit) is not provided by STERIS.

Telecommunications Requirements for ProConnect® Response Center

- An active wired or wireless TCP/IP network, 10/100BaseT Ethernet connection at each piece of connected equipment, Internet access and an IP address on the facility network.
- 5 GB of available hard drive space to run the service agent. Can be installed on:
 - » Dedicated PC running Windows XP with 2.8GHz processor, 512MB of RAM
 - » Virtual Machine
 - » Server
- Local STERIS login at the PC with a username of STERIS and the password should be ProConnect (STERIS Customer Number).
- Ethernet cable to connect each piece of STERIS equipment and the dedicated PC to the facility network.

CUSTOMER IS RESPONSIBLE FOR COMPLIANCE WITH APPLICABLE LOCAL AND NATIONAL CODES AND REGULATIONS.

The base language of this document is ENGLISH. Any translations must be made from the base language document.

Table 1. Recommended Feed Water Quality for Sterilizers

Condition	Nominal Conditions	Maximum Conditions
Temperature	40°-60°F (4°-16°C)	70°F (21°C)
Total Hardness as CaCO ₃ ^a	50-120 mg/L	171 mg/L
Total Dissolved Solids	100-200 mg/L	500 mg/L
Total Alkalinity as CaCO ₃	70-120 mg/L	180 mg/L
pH	6.8-7.5	6.5-8.5
Total Silica	0.1 - 1.0 mg/L	2.5 mg/L

a. 17.1 mg/L = 1.0 grain hardness

Table 2. Required Feed Water Quality for Carbon-Steel Steam Generators

Condition	Nominal Conditions	Maximum Conditions
Temperature	as supplied	140°F (60°C)
Total Hardness as CaCO ₃ ^a	0-17 mg/L	130 mg/L
Total Dissolved Solids	50-150 mg/L	250 mg/L
Total Alkalinity as CaCO ₃	50-100 mg/L	180 mg/L
pH	6.8-7.5	6.5-8.5
Total Silica	0.1 - 1.0 mg/L	2.5 mg/L
Resistivity - ohms/cm ^b	2000-6000	26000

a. 17.1 mg/L = 1.0 grain hardness

b. WARNING – BURN HAZARD: Sterilizer operator may be severely burned by scalding water if the water level control malfunctions. The steam generator level control may malfunction if the supply water exceeds 26,000 ohms/cm (38.5 micro-mhos conductivity min.). Do not connect to treated water (e.g., distilled, reverse osmosis, deionized) unless water resistivity is determined to be acceptable. If water exceeds 26,000 ohms/cm, contact STERIS Service Engineering for information concerning modifications required to the generator control system.

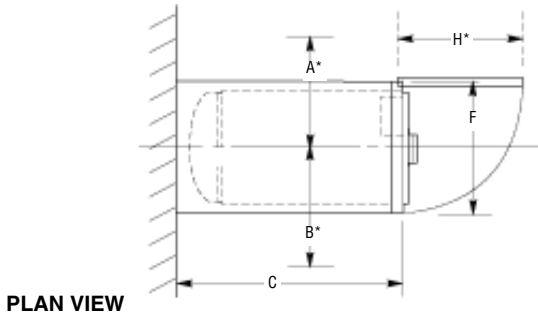
CHAMBER SIZES	DIMENSIONS - inches (mm)							
	A ^a	B ^a	C	F	H ^a	J ^a	K ^a	L ^b
16 x 16 x 26 (406 x 406 x 660)	25 ^c (635)	30 (762)	35-3/4 (908)	26 (660)	25-1/2 (646)	18 (457)	40 (1016)	24-1/8 ± 1/4 (613 ± 6)
20 x 20 x 38 (508 x 508 x 965)	27 ^c (686)	32 (813)	45-1/8 (1146)	30 (762)	29-1/2 (747)	20 (508)	52 (1321)	28-1/8 ± 1/4 (714 ± 6)

a. Minimum Service Clearance

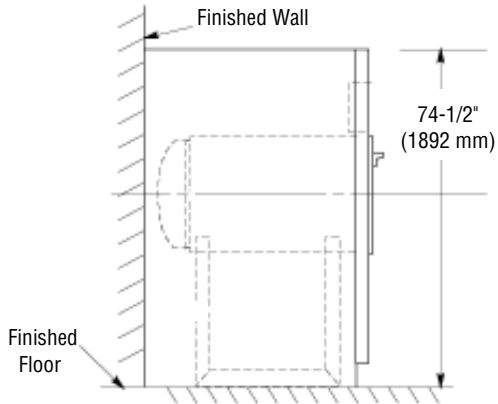
b. Wall Opening

c. If recessed through one wall and using house steam, 18" (457 mm) for 16 x 16 x 26" unit; 20" (508 mm) for 20 x 20 x 38" unit.

Cabinet Enclosed

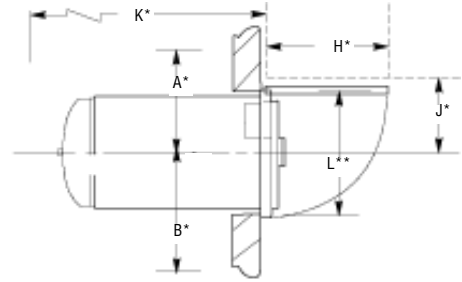


PLAN VIEW

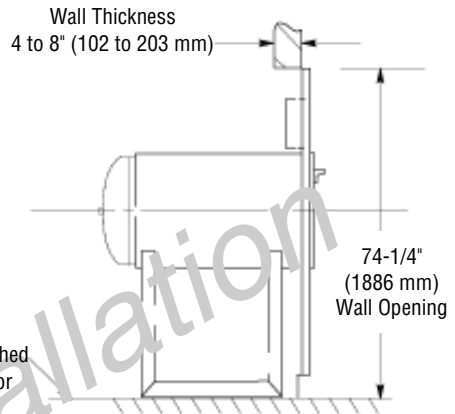


SIDE VIEW

For Recessing



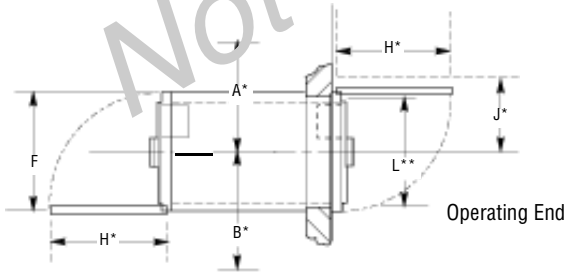
PLAN VIEW



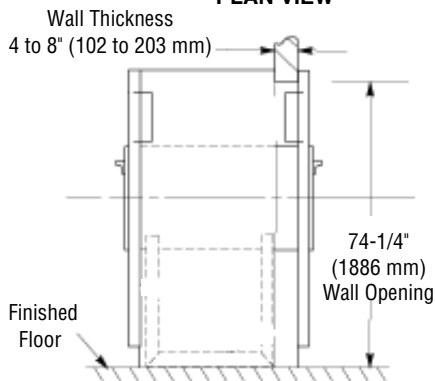
SIDE VIEW

SINGLE DOOR

For Recessing Through One Wall

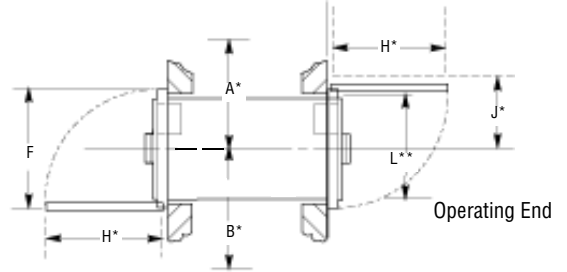


PLAN VIEW

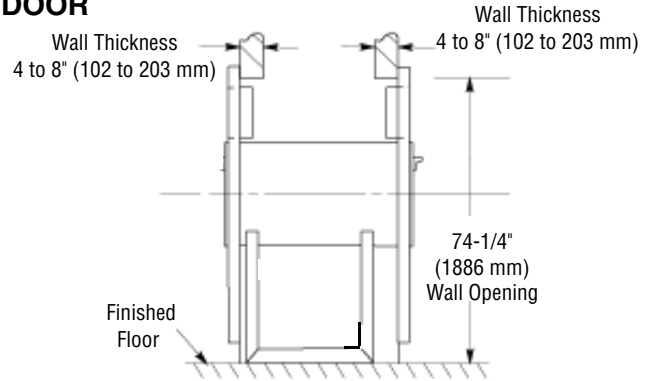


SIDE VIEW

**For Recessing Through Two Walls
(for 20 x 20 x 38" [508 x 508 x 965 mm]
Sterilizer only)**



PLAN VIEW



SIDE VIEW

DOUBLE DOOR

Refer to the Following Equipment Drawings for Installation Details

Equipment Drawing Number	Equipment Drawing Title
65435-651	CENTURY SERIES VAC. OR GRAVITY STERILIZER 16 X 16 X 26 (406 X 406 X 660) SINGLE DOOR CABINET STEAM HEAT
65435-652	CENTURY SERIES VAC. OR GRAVITY STERILIZER 16 X 16 X 26 (406 X 406 X 660) SINGLE DOOR RECESSED STEAM HEAT
65435-653	CENTURY SERIES VAC. OR GRAVITY STERILIZER 16 X 16 X 26 (406 X 406 X 660) SINGLE DOOR RECESSED ELECTRIC STEAM HEAT
65435-654	CENTURY SERIES VAC. OR GRAVITY STERILIZER 16 X 16 X 26 (406 X 406 X 660) DOUBLE DOOR RECESSED ON WALL STEAM HEAT
65435-660	CENTURY SERIES VAC. OR GRAVITY STERILIZER 16 X 16 X 26 (406 X 406 X 660) SINGLE DOOR CABINET ELECTRIC STEAM HEAT
65435-655	CENTURY SERIES VAC OR GRAVITY STERILIZER 20 X 20 X 38 (508 X 508 X 965) SINGLE DOOR RECESSED STEAM HEAT
65435-656	CENTURY SERIES VAC OR GRAVITY STERILIZER 20 X 20 X 38 (508 X 508 X 965) SINGLE DOOR CABINET STEAM HEAT
65435-657	CENTURY SERIES VAC OR GRAVITY STERILIZER 20 X 20 X 38 (508 X 508 X 965) DOUBLE DOOR RECESSED ONE WALL STEAM HEAT
65435-658	CENTURY SERIES VAC OR GRAVITY STERILIZER 20 X 20 X 38 (508 X 508 X 965) DOUBLE DOOR RECESSED TWO WALL STEAM HEAT
65435-659	CENTURY SERIES VAC OR GRAVITY STERILIZER 20 X 20 X 38 (508 X 508 X 965) DOUBLE DOOR, RECESSED ONE WALL, ELEC STEAM HEAT
65435-661	CENTURY SERIES VAC OR GRAVITY STERILIZER 20 X 20 X 38 (508 X 508 X 965) DOUBLE DOOR RECESSED TWO WALL ELECTRIC STEAM HEAT
65435-676	CENTURY SERIES STERILIZER 20 X 20 X 38 (508 X 508 X 965) VACAMATIC OR GRAVITY, SINGLE DOOR, CABINET, ELECTRIC STEAM HEAT
65435-677	CENTURY SERIES STERILIZER 20 X 20 X 38 (508 X 508 X 965) VACAMATIC OR GRAVITY SINGLE DOOR RECESSED ELECTRIC STEAM HEAT

ENGINEERING DATA

SIZE in (mm)	Heating	MAXIMUM OPERATING WEIGHT ^a lbs (kg)		HEAT LOSS ^b BTU/hr at 70°F (21°C)						
				Single Door			Double Door			
		Single Door	Double Door	Cab't Enc	Recessed		Recessed One Wall		Recessed Two Walls	
				To Room	Front of Wall	Back of Wall	Front of Wall	Back of Wall	At Each End	Between Walls
16 x 16 x 26 (406 x 406 x 660)	Steam	750 (340)	989 (449)	4300	1600	2700	1600	3500	N/A	N/A
	Electric	890 (404)	N/A	6050	2300	3750	N/A	N/A	N/A	N/A
20 x 20 x 38 (508 x 508 x 965)	Steam	1231 (558)	1606 (728)	7000	2500	4500	2500	5300	2500	2800
	Electric	1371 (622)	1726 (782)	8750	3300	5450	3300	6250	3300	2950

a. Based on chamber fully loaded with water flasks.

b. At 70°F (21°C).

SIZE in (mm)	Heating	UTILITIES CONSUMPTION								
		Water ^a						Steam		
		Cold			Hot ^b					
		Peak gpm (lpm)	Per Cycle ^c gal/cycle (l/cycle)	Idle gph (lph)	Peak gpm (lpm)	Per Cycle ^c gal/cycle (l/cycle)	Idle gph (lph)	Peak ^d lb/hr (kg/hr)	Per Cycle lb/cycle (kg/cycle)	Idle lb/hr (kg/h)
16 x 16 x 26 (406 x 406 x 660)	Steam	15 (57)	140 (530)	7 (26)	N/A	N/A	N/A	83 (38)	18 (8)	7 (3)
	Electric	15 (57)	140 (530)	7 (26)	1 (4)	3 (11)	1 (4)	N/A	N/A	N/A
20 x 20 x 38 (508 x 508 x 965)	Steam	15 (57)	140 (530)	10 (38)	N/A	N/A	N/A	116 (53)	21 (10)	7 (3)
	Electric	15 (57)	140 (530)	10 (38)	1 (4)	4 (15)	1 (4)	N/A	N/A	N/A

a. Backflow preventer device in water line, when required by local codes, is installed by others.

b. Hot water recommended for units equipped with electric steam heat.

c. Per cycle values were based on a 270°F (132°C) Prevac cycle with 4 minute sterilize time and 20 minute dry time, and chamber fully loaded with 17 lb. instrument tray.

d. Peak steam demand (lbs/hr) may vary depending on operating conditions.

For further information, contact:



STERIS Corporation
5960 Heisley Road
Mentor, OH 44060-1834 • USA
440-354-2600 • 800-548-4873
www.steris.com

This document is intended for the exclusive use of STERIS Customers, including architects or designers. Reproduction in whole or in part by any party other than a Customer is prohibited.